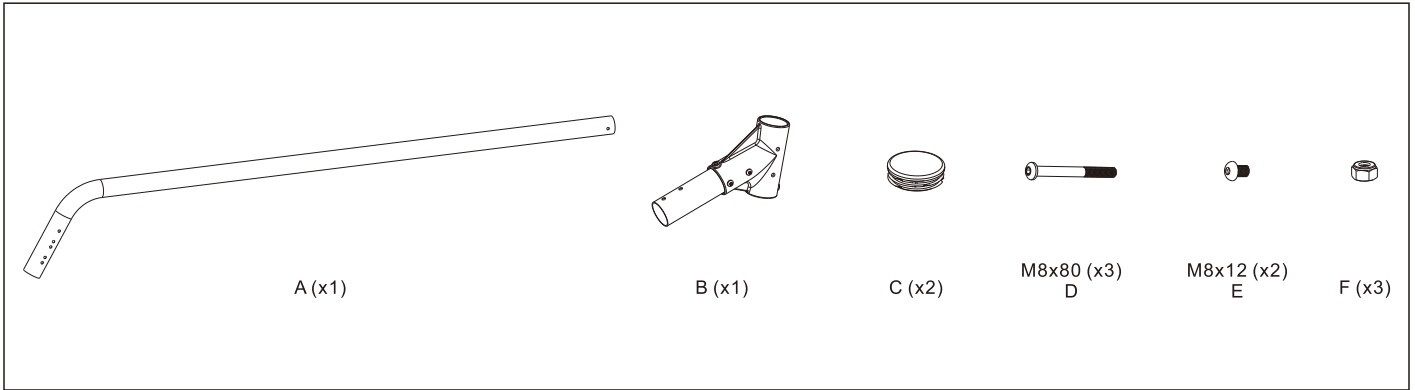


# MT-1600-P1750/MT-1600-P2250



## Assemble the Pole

