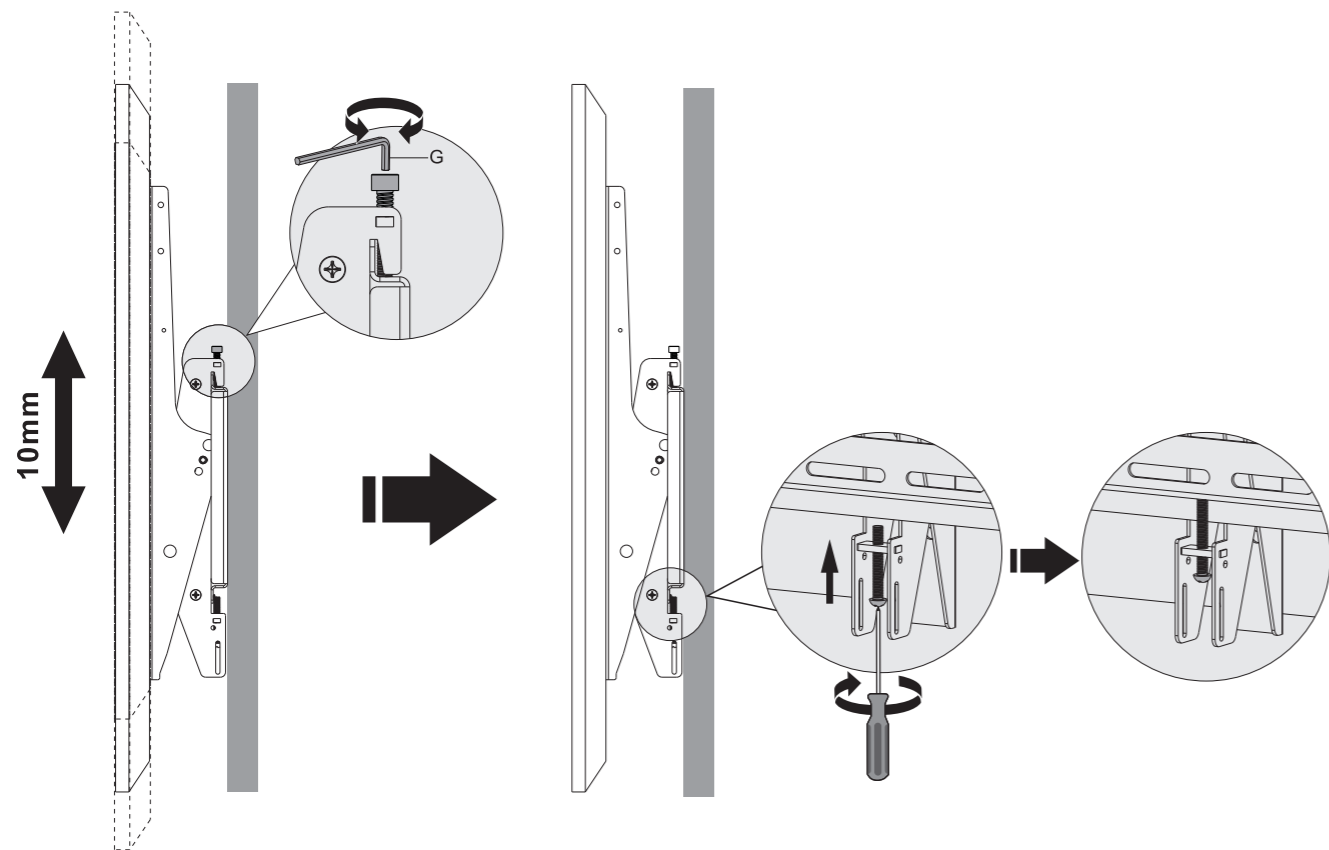


6. Fine-Tuning and Fixing the Displays

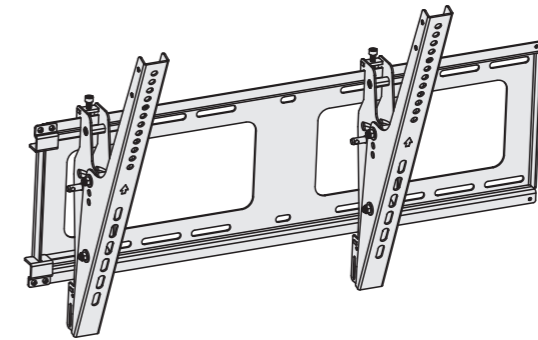


Screw to enable precision alignment of multiple screens.

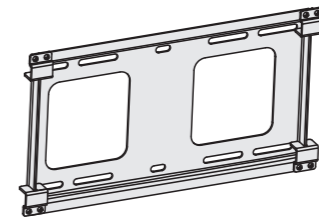
Tighten the screws as shown to fix the adapter brackets onto the wall plate in place.

MAINTENANCE:
Check that the product is secure and safe to use at regular intervals (at least every three months).

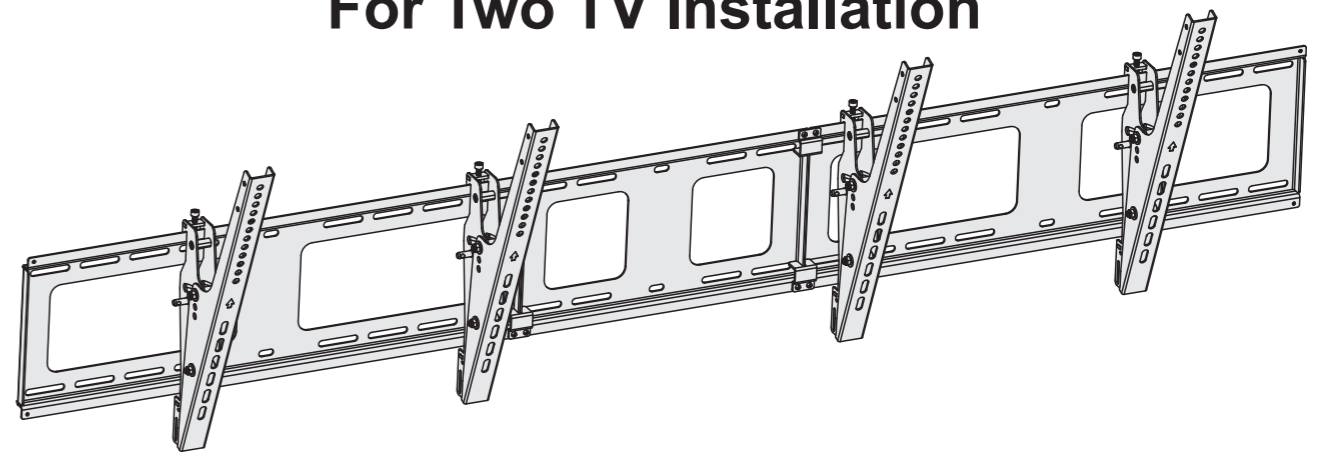
Menu Board Wall Mount



Includes Joint Bracket



For Two TV Installation



INSTALLATION MANUAL


MT-1552



200x200/300x200
400x200/400x300
300x300/400x400
600x400



rated
50kg/110lbs

 Read the entire instruction manual before you start installation and assembly. If you have any questions regarding any of the instructions or warnings, please contact your local distributor for assistance.

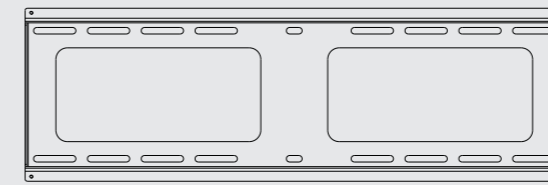
CAUTION

- Use with products heavier than the rated weights indicated may result in instability causing possible injury.
- Please closely follow the assembly instructions. Improper installation may result in damage or serious personal injury.
- Safety gear and proper tools must be used. This product should only be installed by professionals.
- This product is designed to be installed on solid concrete walls or masonry walls.
- Make sure that the supporting surface will safely support the combined weight of the equipment and all attached hardware and components.
- Use the mounting screws provided and **DO NOT OVER TIGHTEN** mounting screws.
- This product contains small items that could be a choking hazard if swallowed. Keep these items away from children.
- This product is intended for indoor use only. Using this product outdoors could lead to product failure and personal injury.

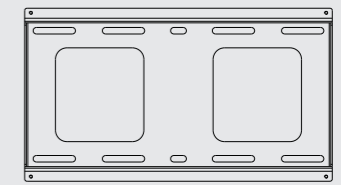
Recommended for Installation



Component Checklist



wall plates (x1)
A



wall plate (x1)
B



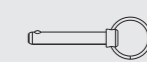
adapter brackets (x2)
C



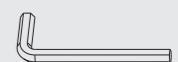
clamps (x2)
D



M4x6 (x4)
E



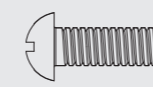
safety pins (x2)
F



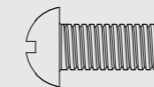
5mm Allen Key (x1)
G

IMPORTANT: Ensure that you have received all parts according to the component checklist prior to installation. If any parts are missing or faulty, contact your place of purchase for a replacement.

Package M x 1



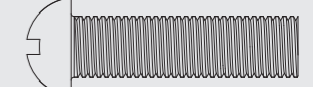
M5x14 (x4)
M-A



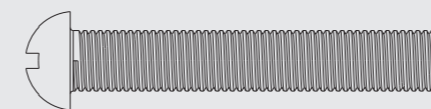
M6x14 (x4)
M-B



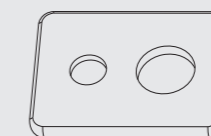
M6x30 (x4)
M-C



M8x30 (x4)
M-D



M8x50 (x4)
M-E



washers (x4)
M-F

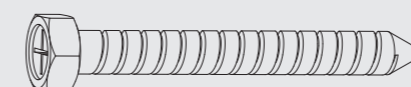


small spacers (x8)
M-G

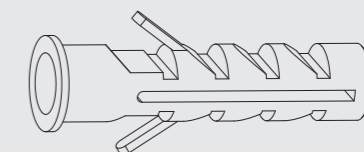


big spacers (x8)
M-H

Package W x 1



ST6.3x55 (x6)
W-A

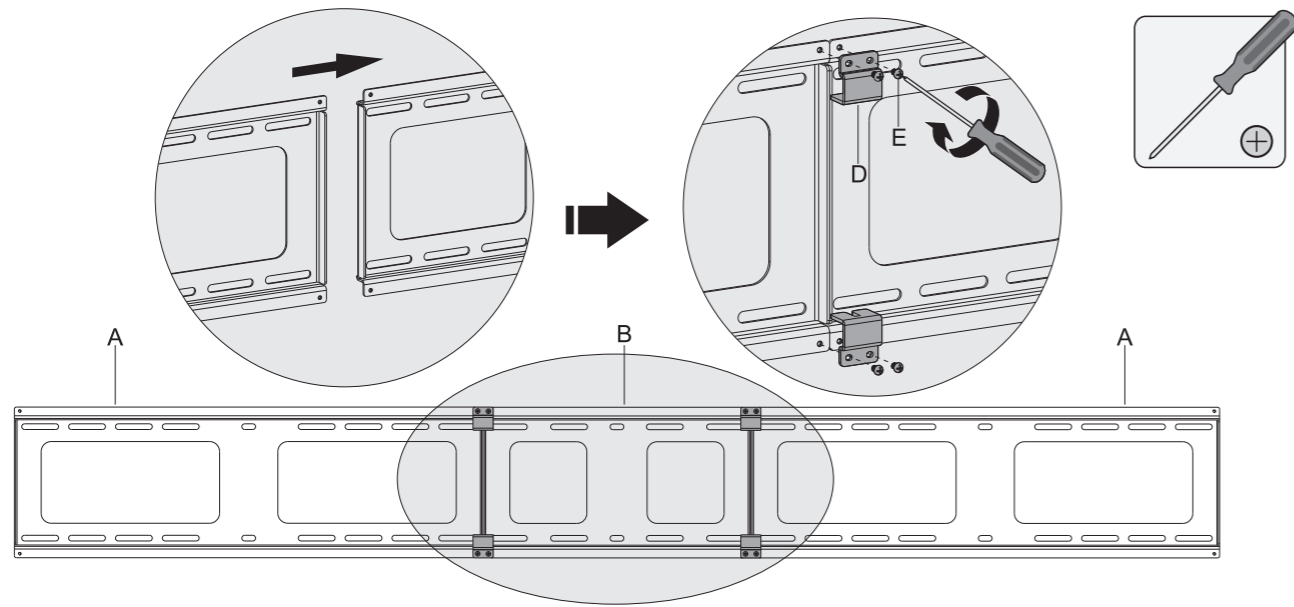


concrete anchors (x6)
W-B

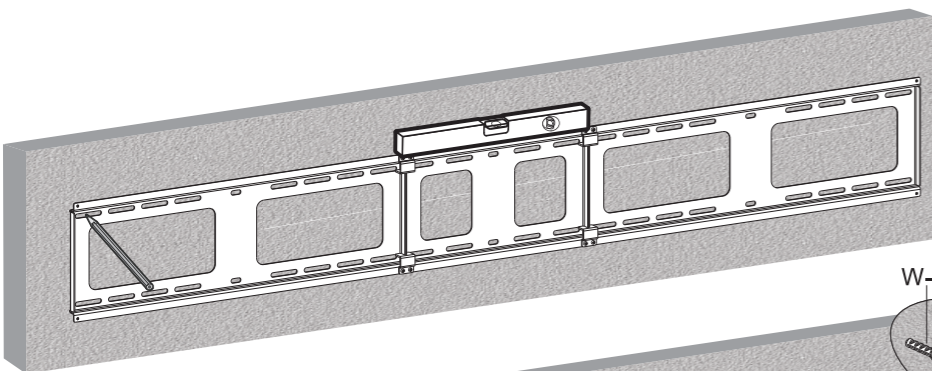
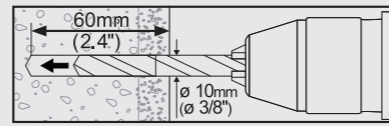
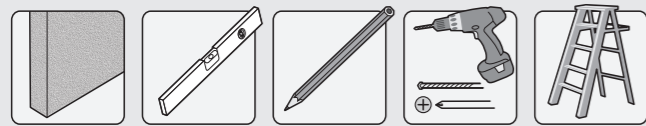


D6 washers (x6)
W-C

1. Multiple Wall Plates Installation

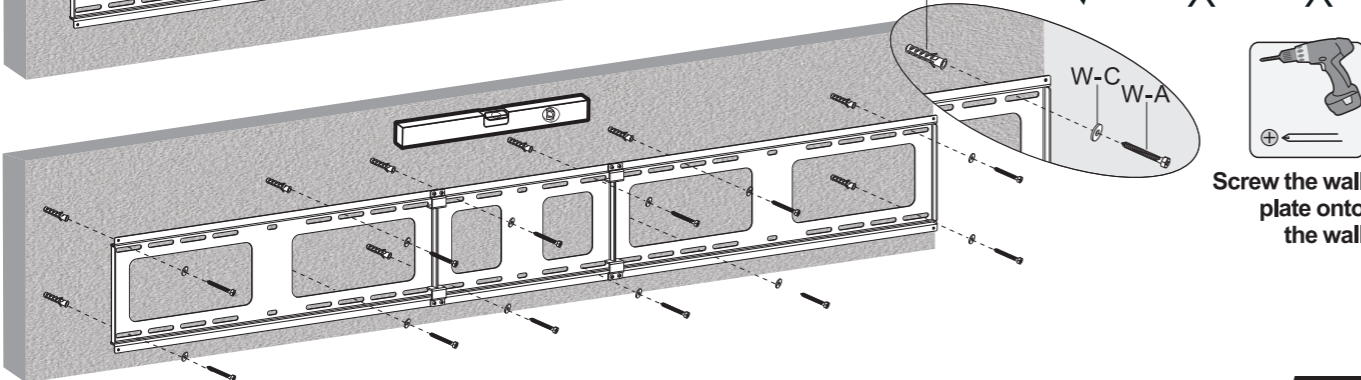
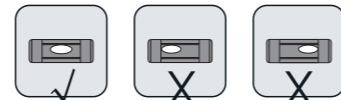


2. Masonry and Concrete Wall Mounting

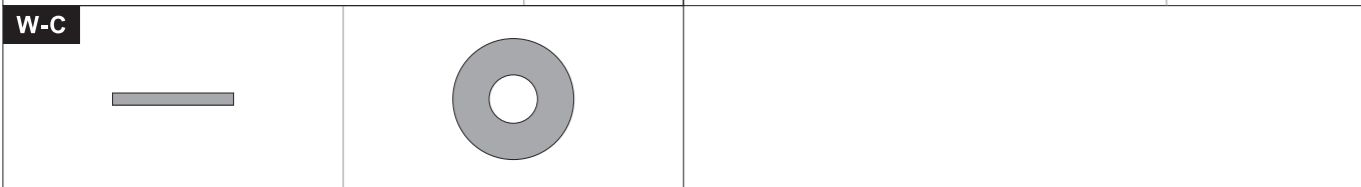
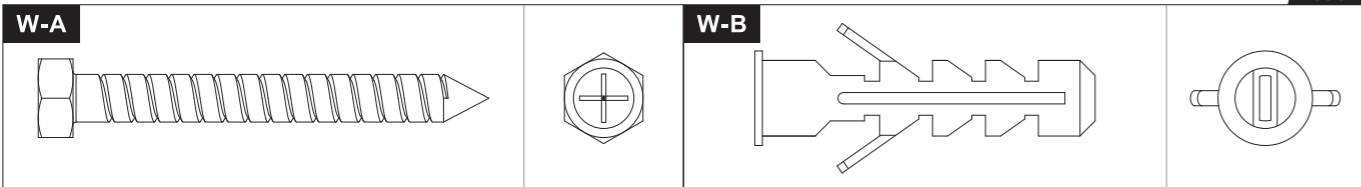


1 Mark the exact location of mounting holes

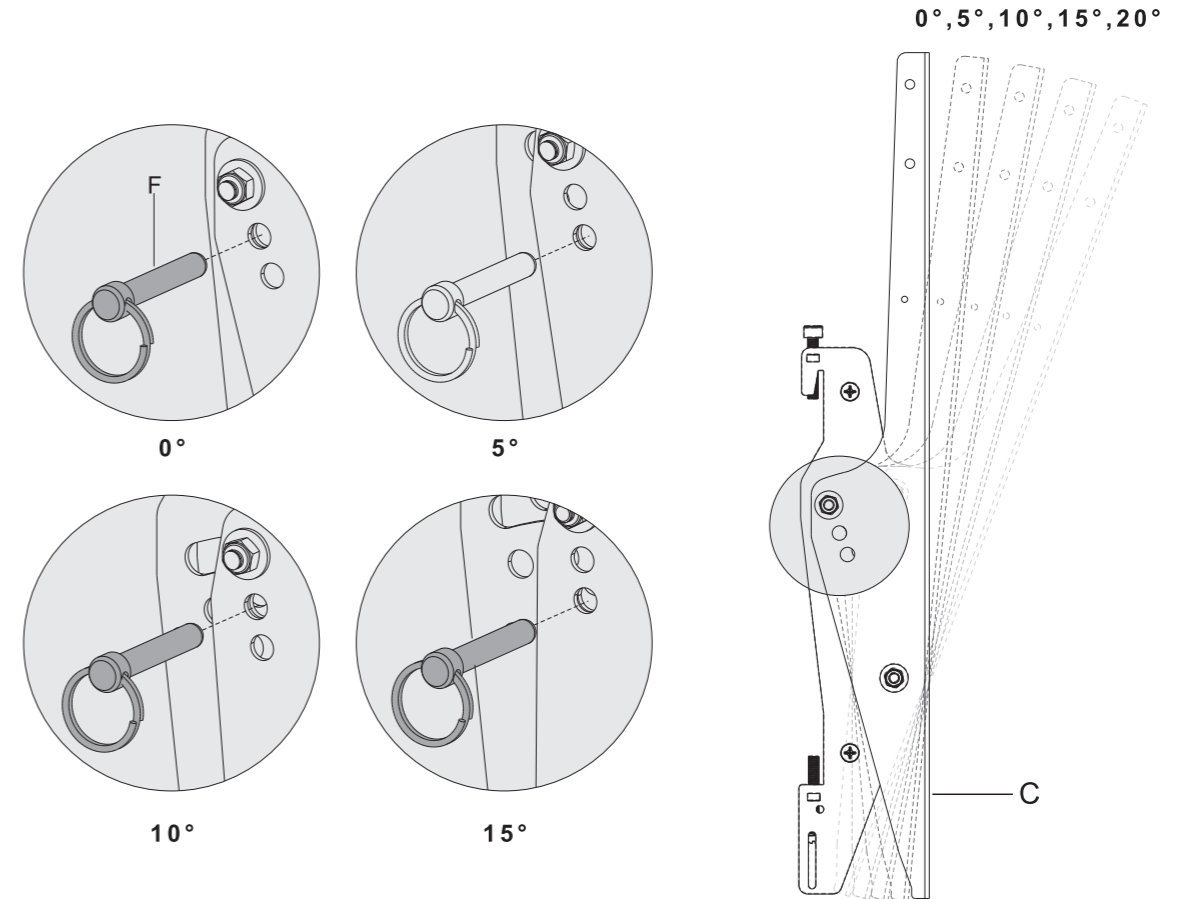
2 Drill pilot holes



Screw the wall plate onto the wall

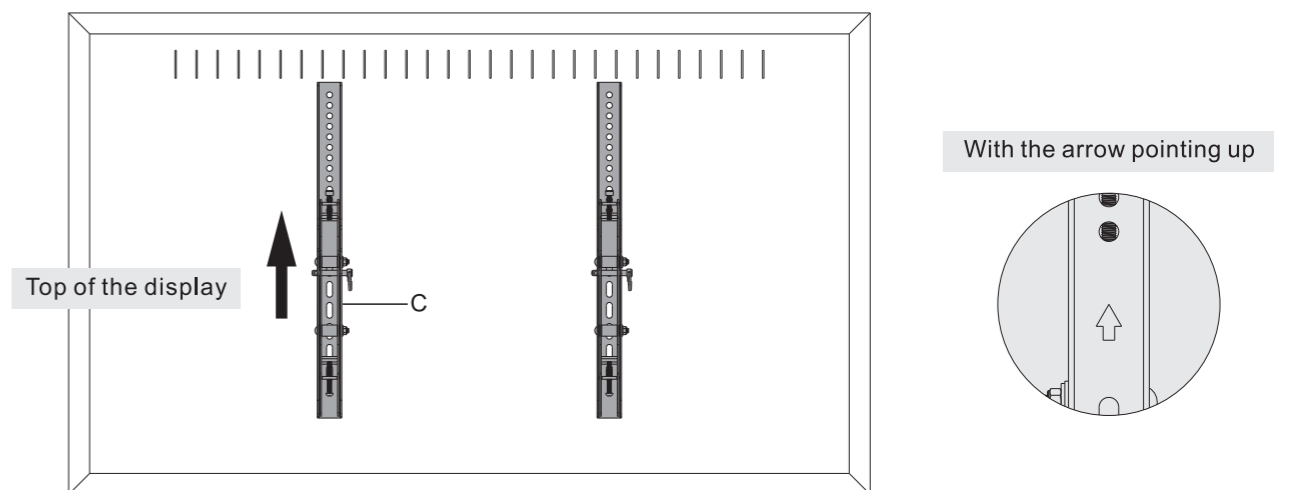


3. Adjusting the Tilt

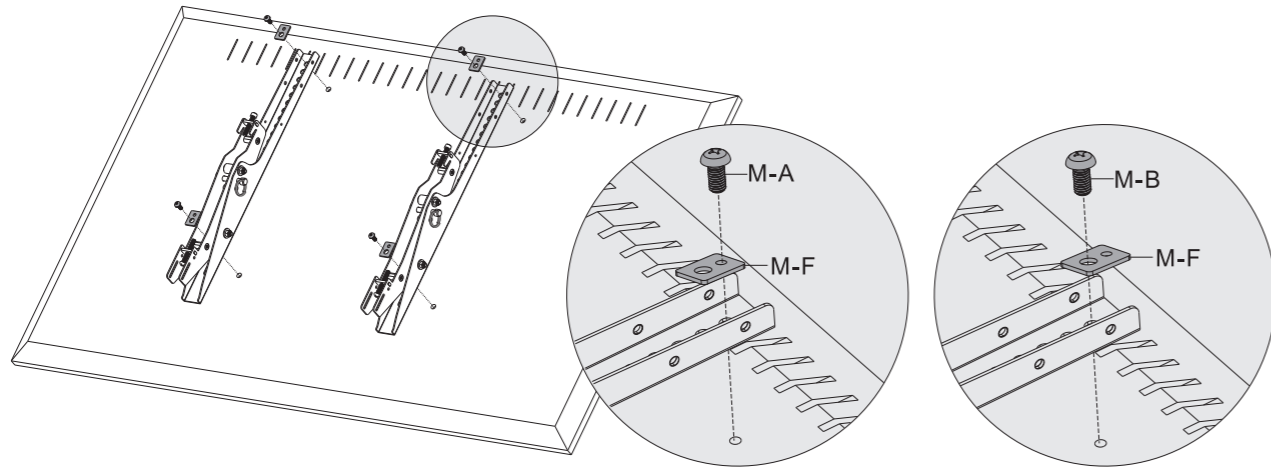
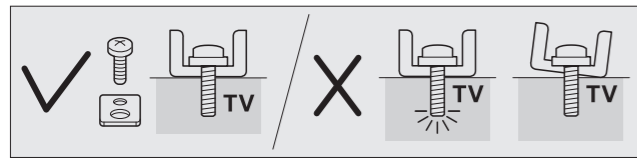


20° is the natural angle and the safety pin is unnecessary.

4. Adapter Brackets Installation

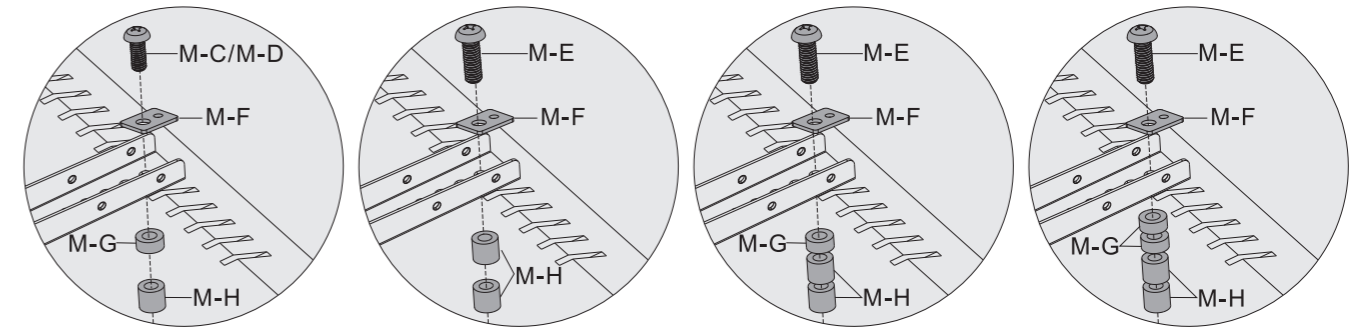
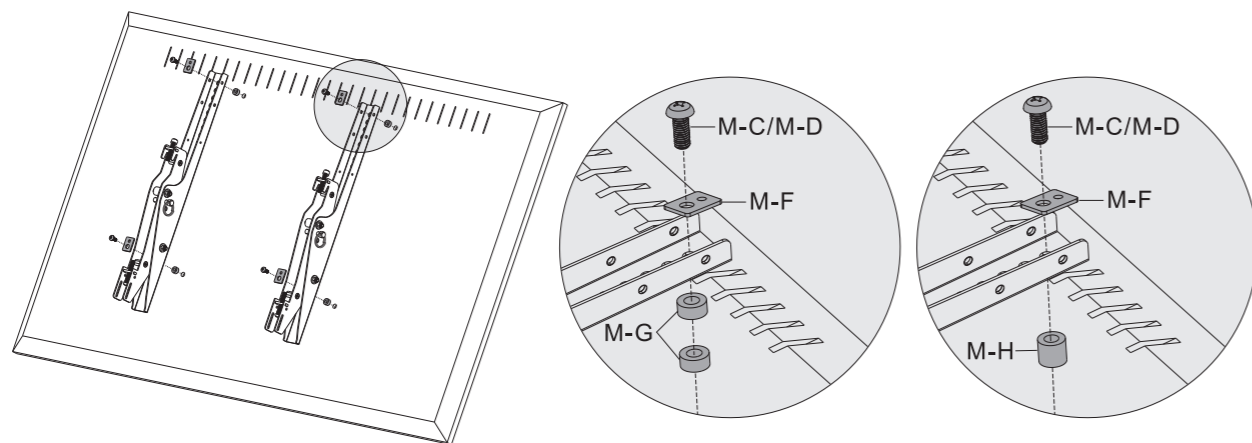
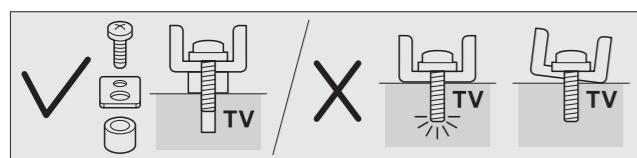


4a. Flat Back Screen Installation



M-A			M-B		
M-F					

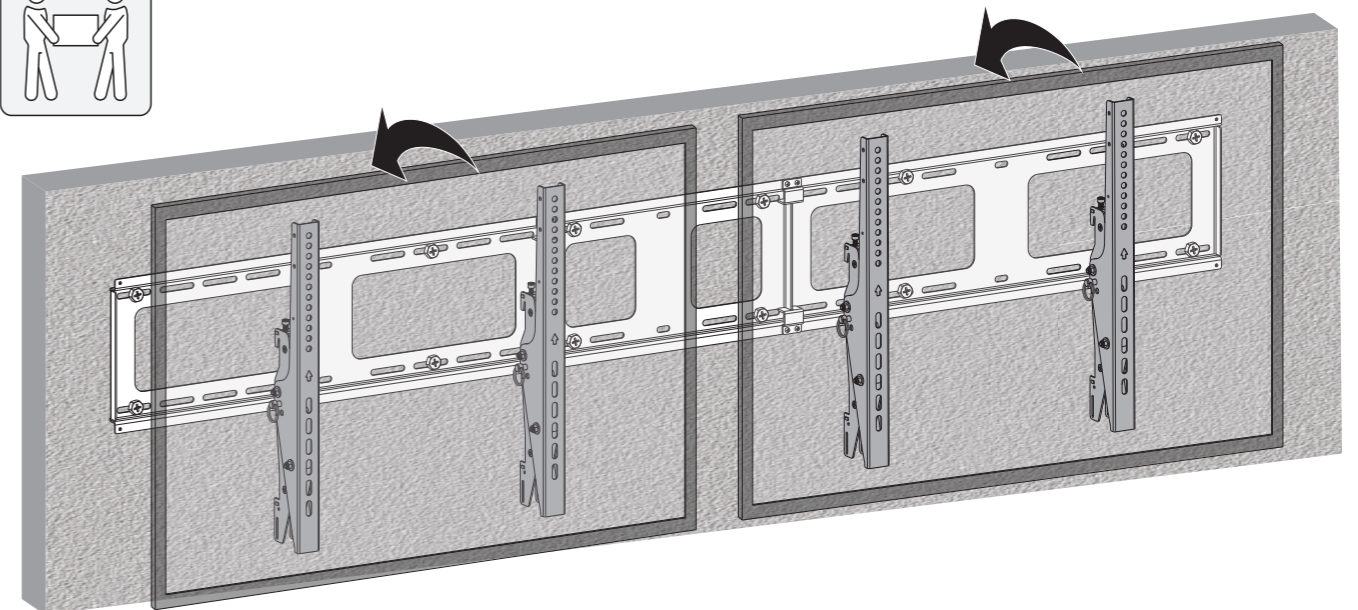
4b. Non-Standard Back Screen Installation



M-C			M-D		
M-E			M-F		
M-G			M-H		

- Choose the appropriate screws, washers and spacers (if necessary) according to the type of screen.
- Center the adapter brackets on the back of the display as shown, and screw the brackets onto the display, being sure to not over-tighten.

5. Hanging the Displays



Hook the top of adapter brackets onto the wall plate.