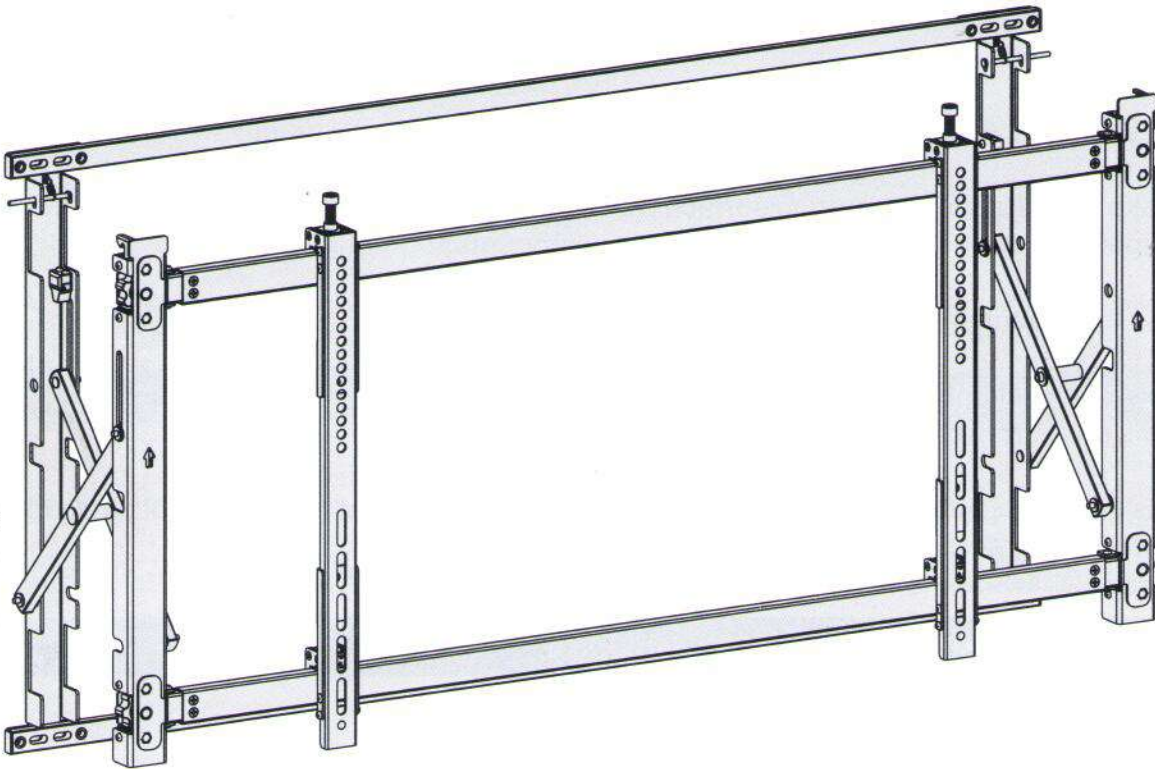


Video Wall Mount



INSTALLATION MANUAL

MT-1515-BK



200x200/300x200
300x300/400x200
400x300/400x400
600x400




rated
35kg/77lbs


MT-1516-BK



200x200/300x200
300x300/400x200
400x300/400x400
600x400/600x600
800x400/800x600



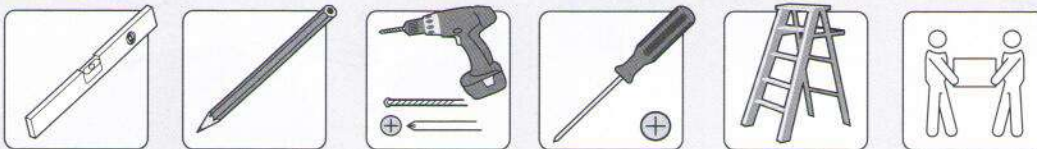

rated
35kg/77lbs

 **Read the entire instruction manual before you start installation and assembly. If you have any questions regarding any of the instructions or warnings, please contact your local distributor for assistance.**

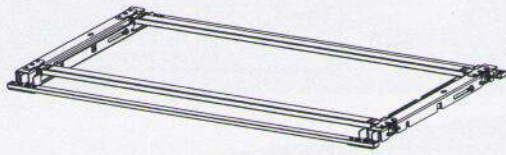
CAUTION

- Use with products heavier than the rated weights indicated may result in instability causing possible injury.
- Please closely follow the assembly instructions. Improper installation may result in damage or serious personal injury.
- Safety gear and proper tools must be used. This product should only be installed by professionals.
- This product is designed to be installed on solid concrete walls or masonry walls.
- Make sure that the supporting surface will safely support the combined weight of the equipment and all attached hardware and components.
- Use the mounting screws provided and **DO NOT OVER TIGHTEN** mounting screws.
- This product contains small items that could be a choking hazard if swallowed. Keep these items away from children.
- This product is intended for indoor use only. Using this product outdoors could lead to product failure and personal injury.

Recommended for Installation



Component Checklist



Wall Plate (Landscape Mounting)
A (x1)



Adapter Bracket
B (x2)



Connecting Rod (Portrait Mounting)
C (x2)



Connecting Tube (Portrait Mounting)
D (x2)



M5x25
E (x2)



Plastic Locking Piece
F (x1)



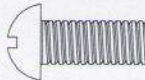
6mm Allen Key
G (x1)

IMPORTANT: Ensure that you have received all parts according to the component checklist prior to installation. If any parts are missing or faulty, contact your place of purchase for a replacement.

Package M



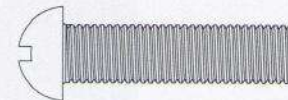
M5x14 (x4)
M-A



M6x14 (x4)
M-B



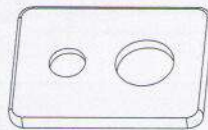
M6x30 (x4)
M-C



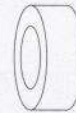
M8x30 (x4)
M-D



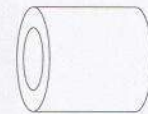
M8x50 (x4)
M-E



washers (x4)
M-F

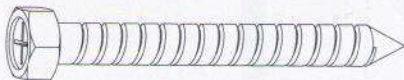


small spacers (x8)
M-G

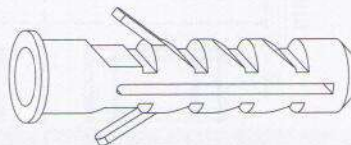


big spacers (x8)
M-H

Package W



ST6.3x55 (x4)
W-A

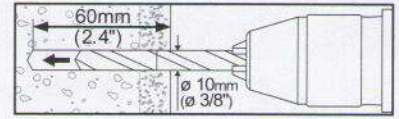
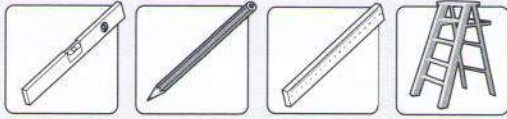


concrete anchors (x4)
W-B

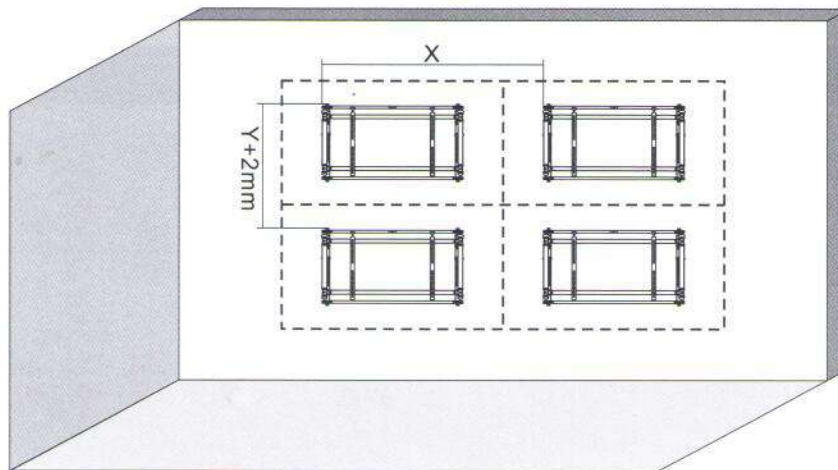
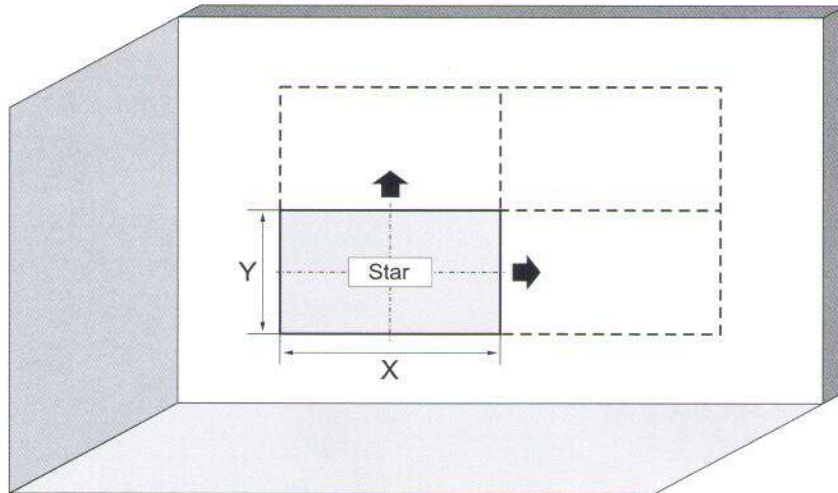
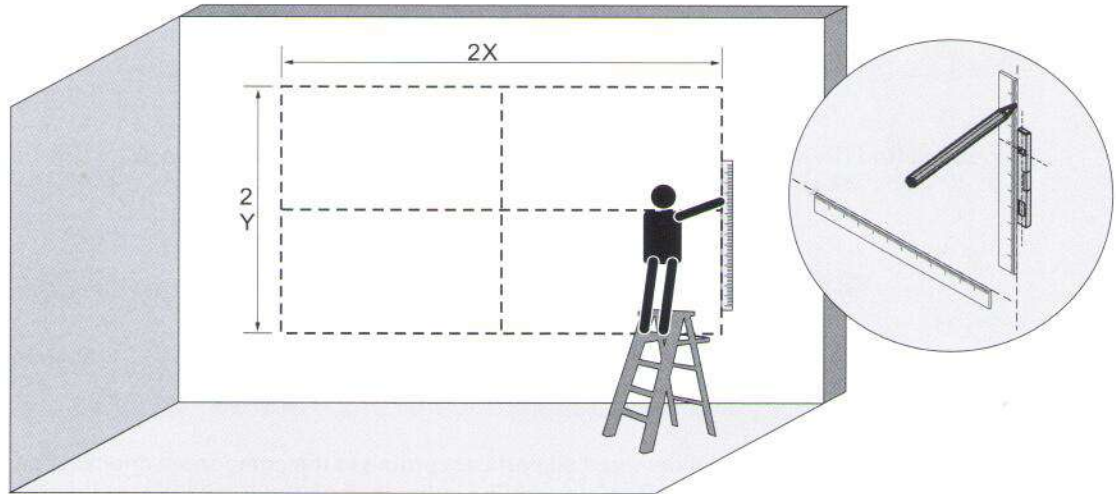


D6 washers (x4)
W-C

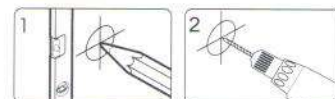
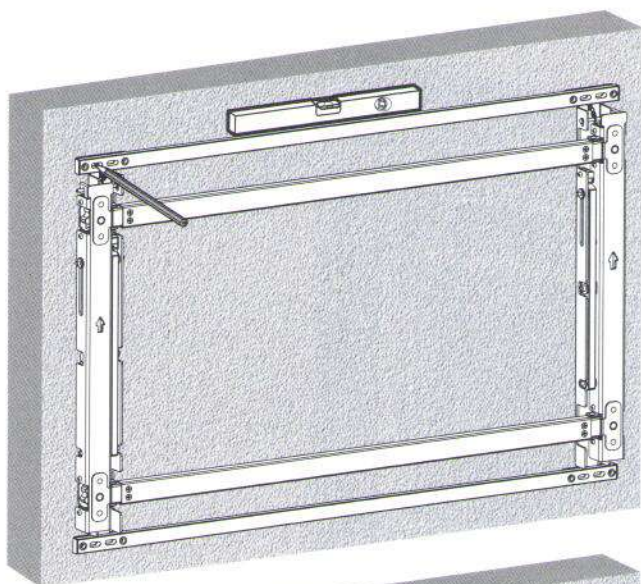
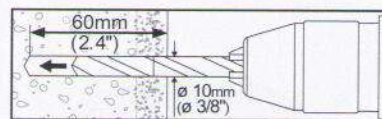
1. Plan the Mounting Placement



X=length of display Y=Height of display



2. Masonry and Concrete Wall Mounting

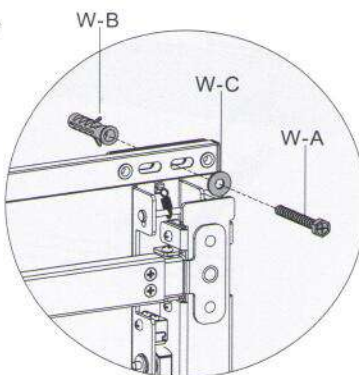
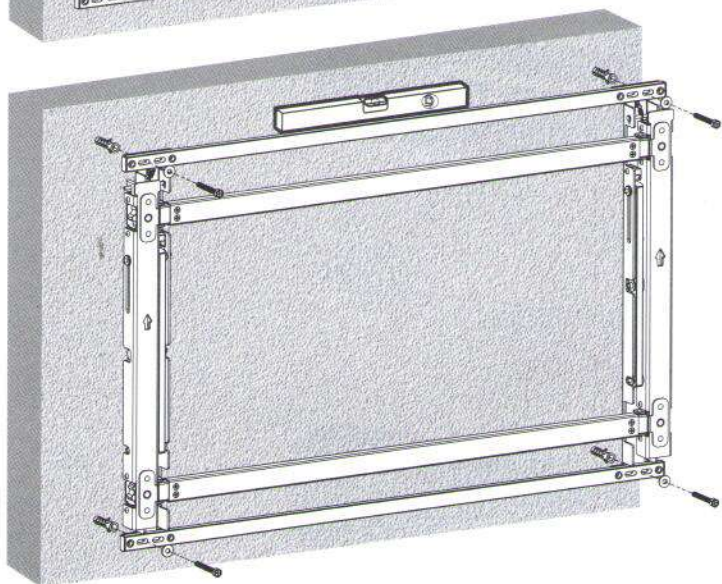


1
Mark the exact location of mounting holes

2
Drill pilot holes



Screw the wall plate onto the wall

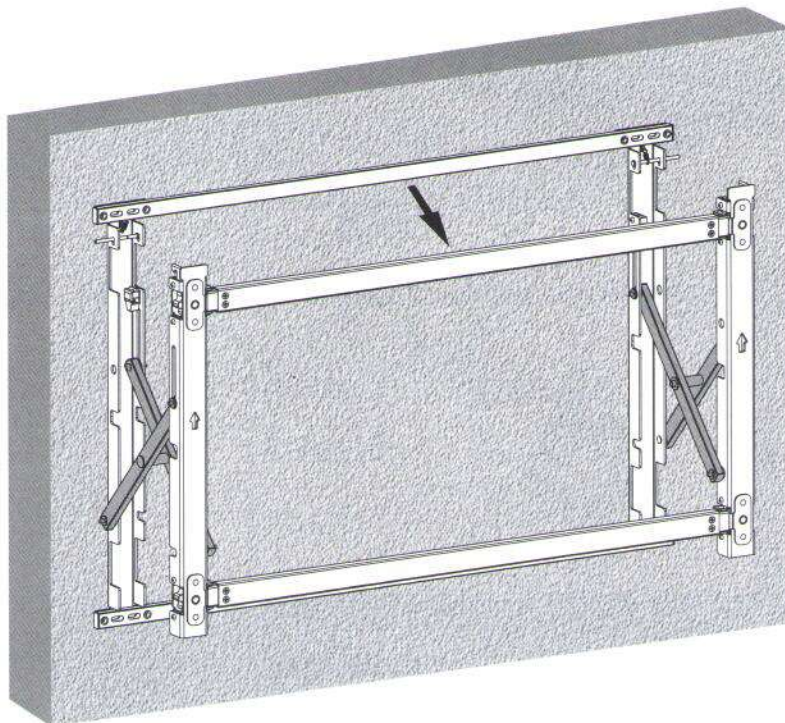
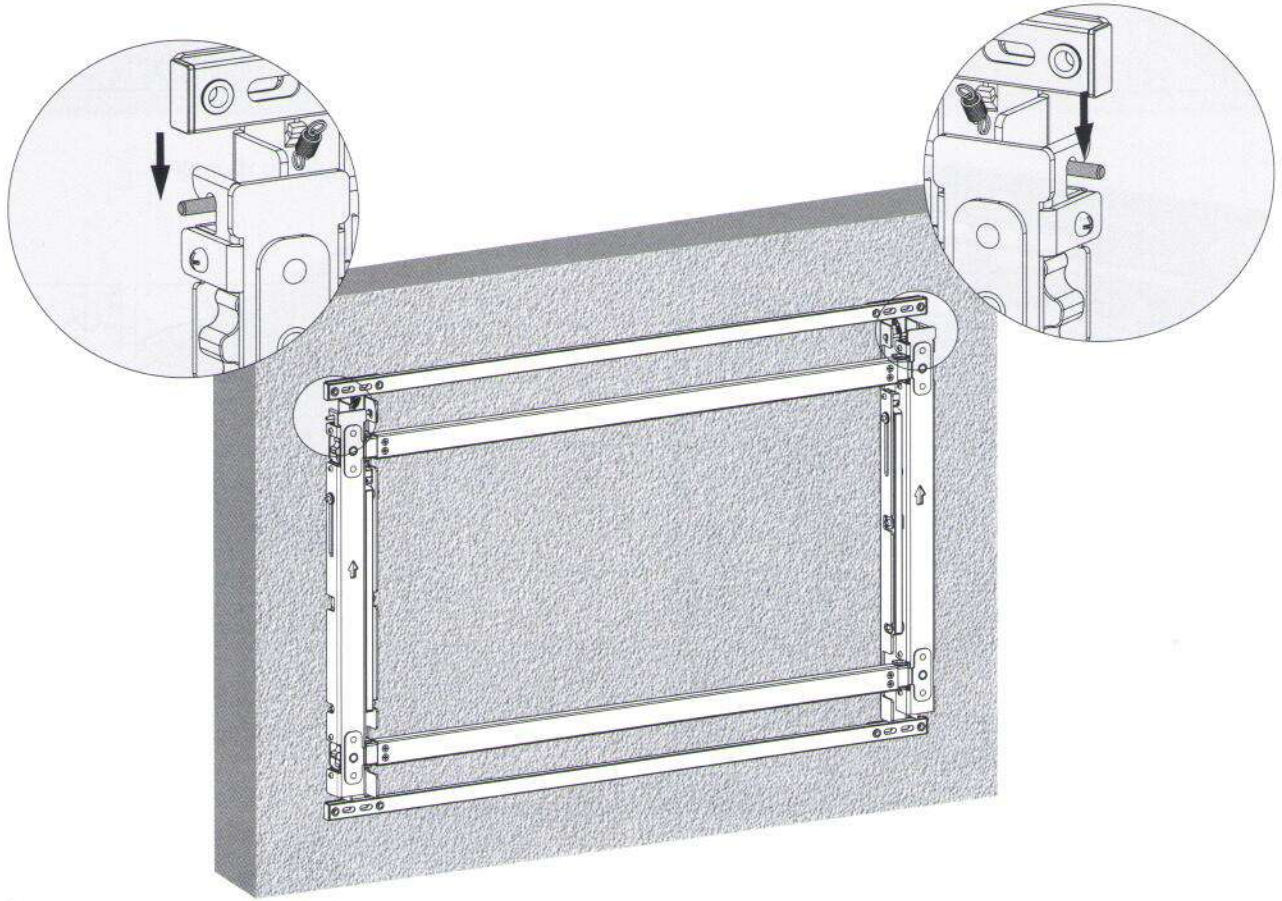


<p>W-A</p>		<p>W-B</p>	
<p>W-C</p>			

WARNING

Installers must verify that the supporting surface will safely support the combined weight of the equipment and all attached hardware and components.

3. Extend the Mounting Arm



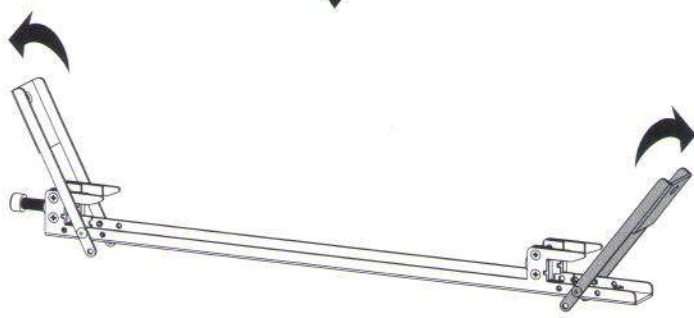
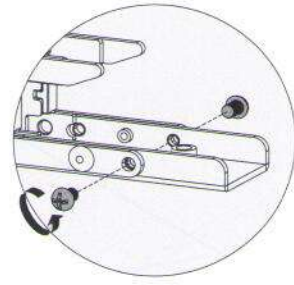
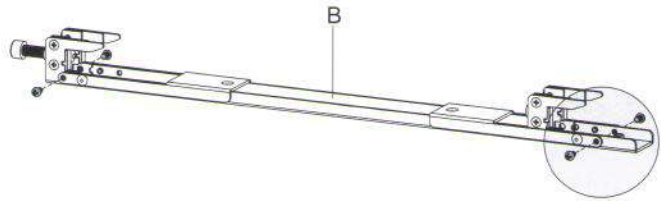
4. Arrange the Adapter Brackets



For Landscape Mounting



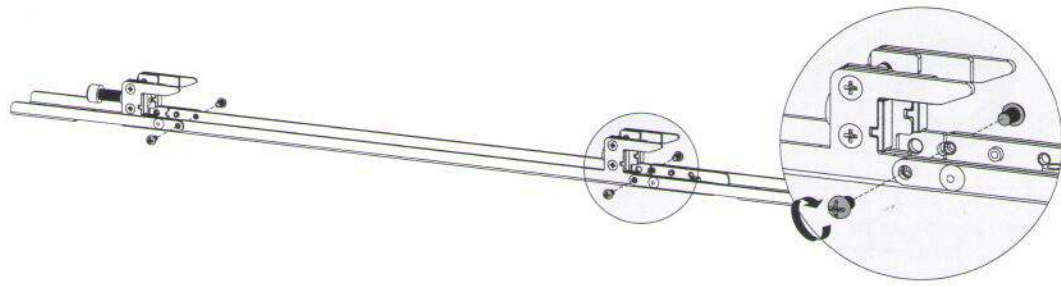
400mm



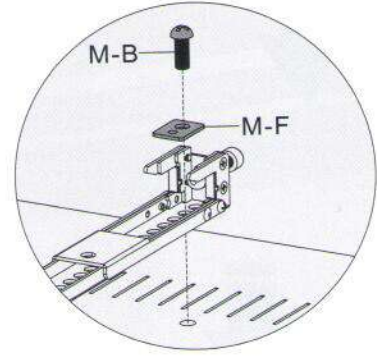
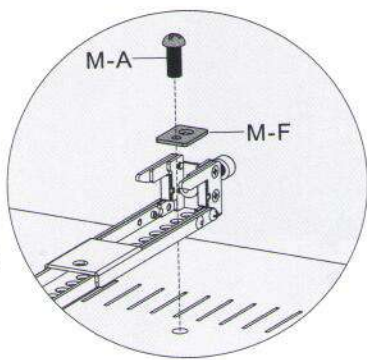
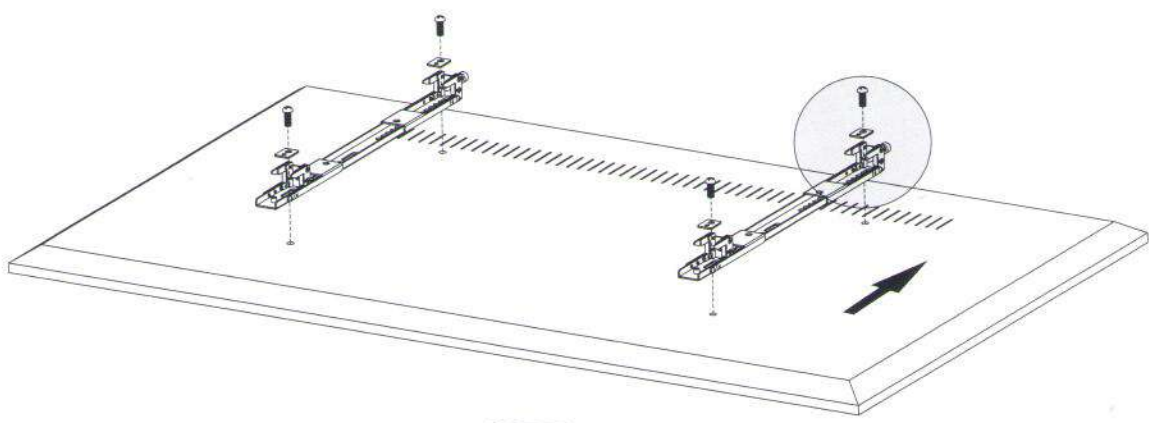
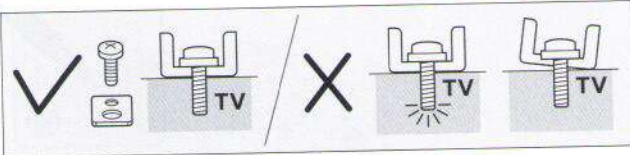
For Portrait Mounting



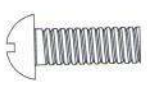
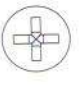

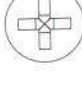

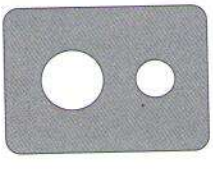
600mm



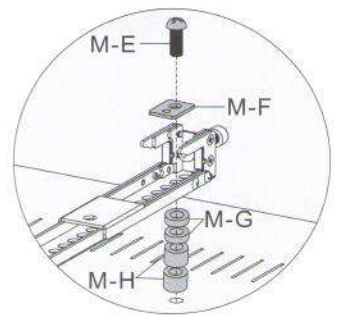
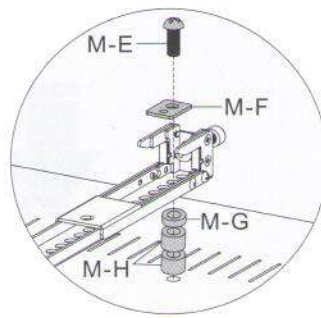
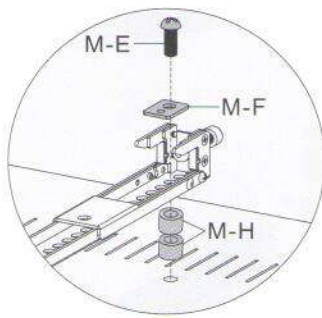
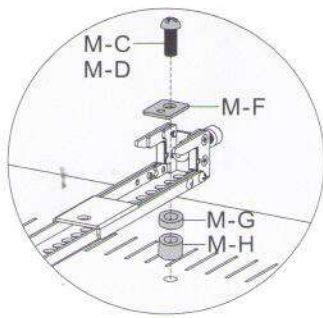
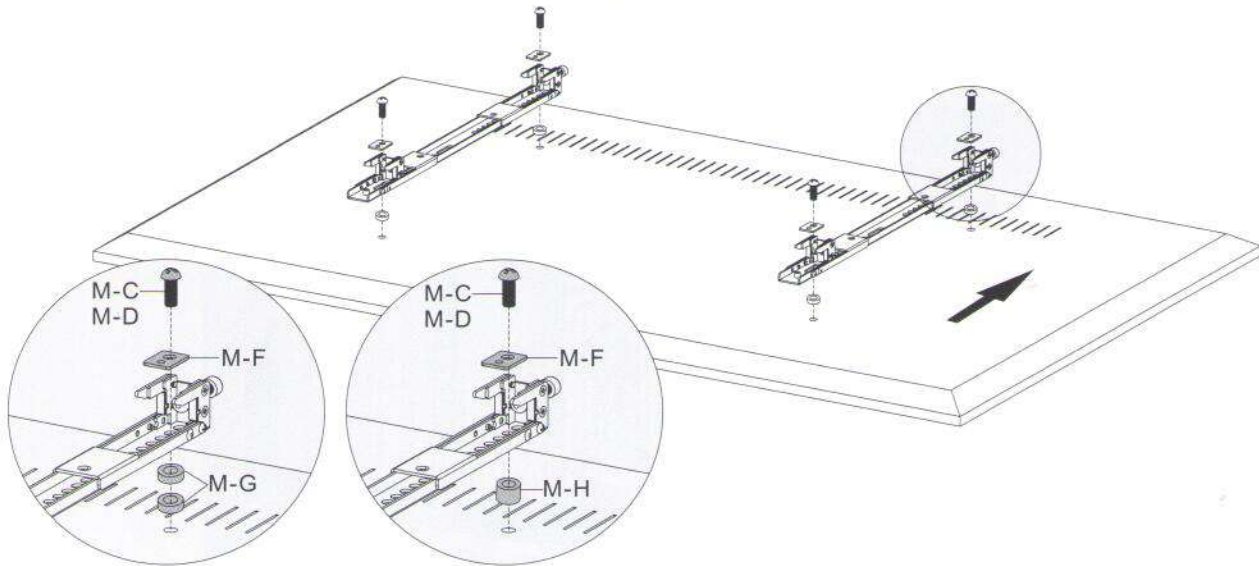
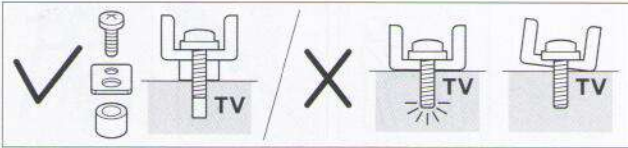
5a. Flat Back Screen Installation



1:1

<p>M-A</p> 		<p>M-B</p> 	
<p>M-F</p> 			

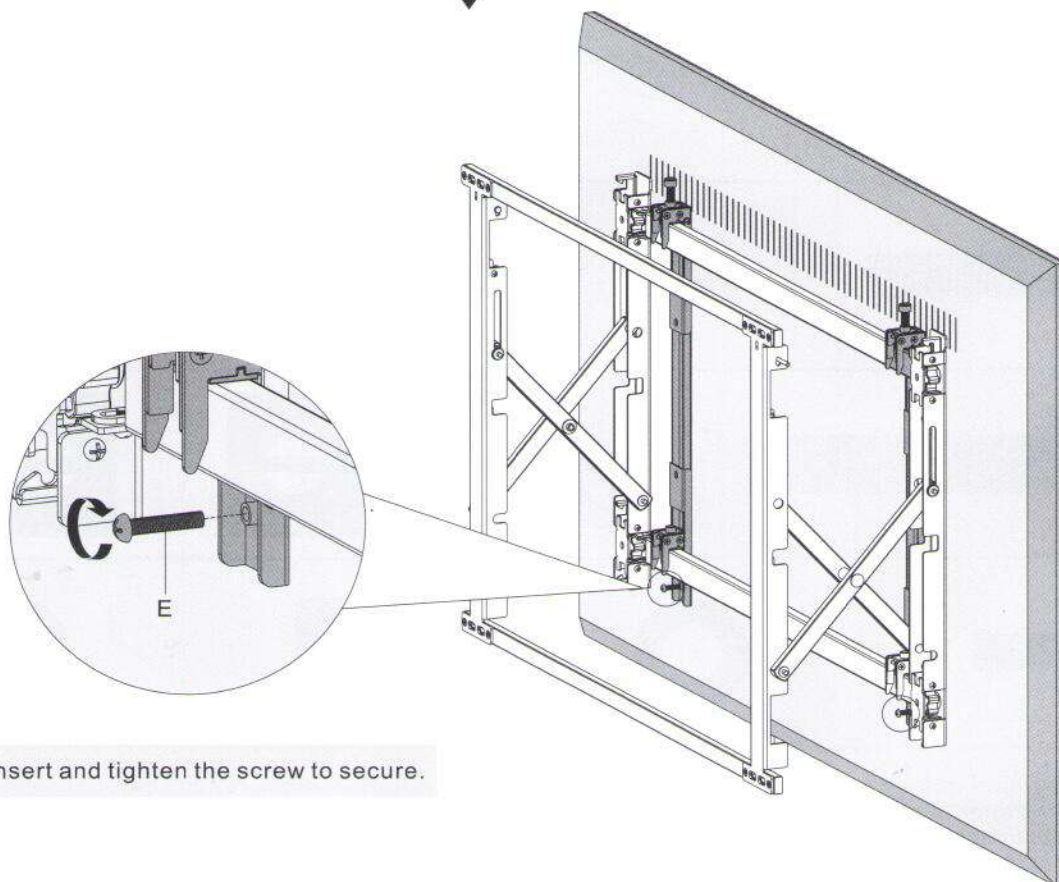
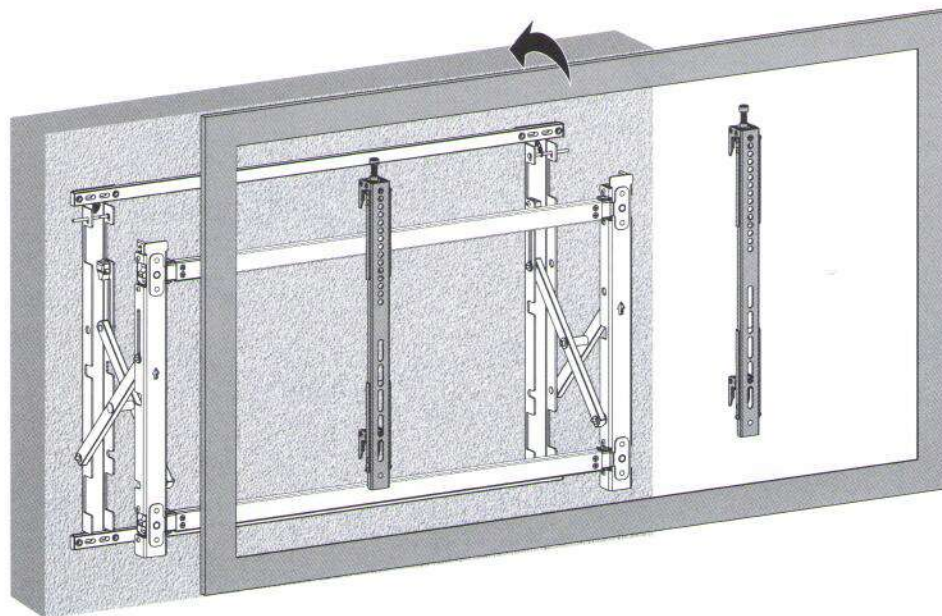
5b. Non-Standard Back Screen Installation



1:1			
M-C			
M-E			
			M-F
M-G			
			M-H

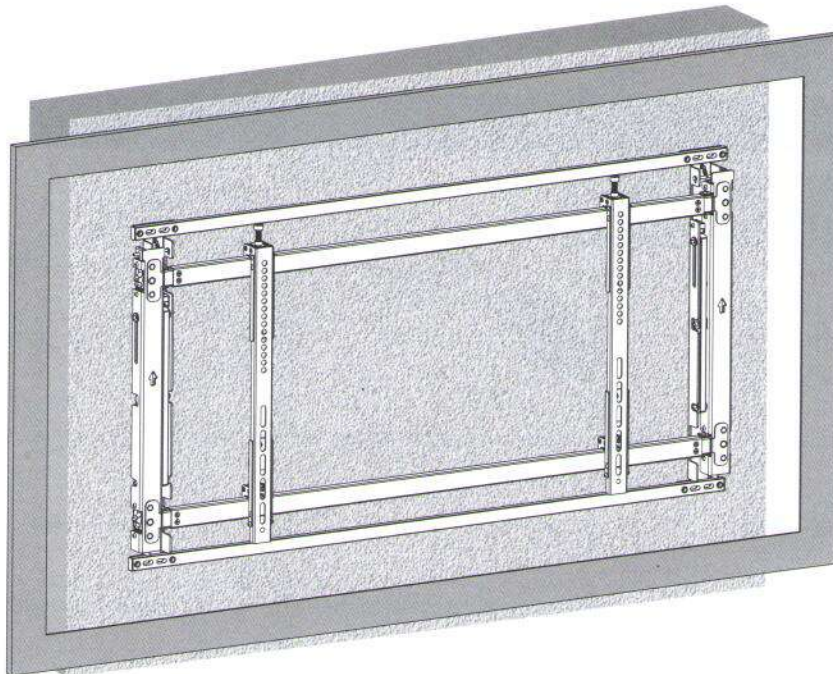
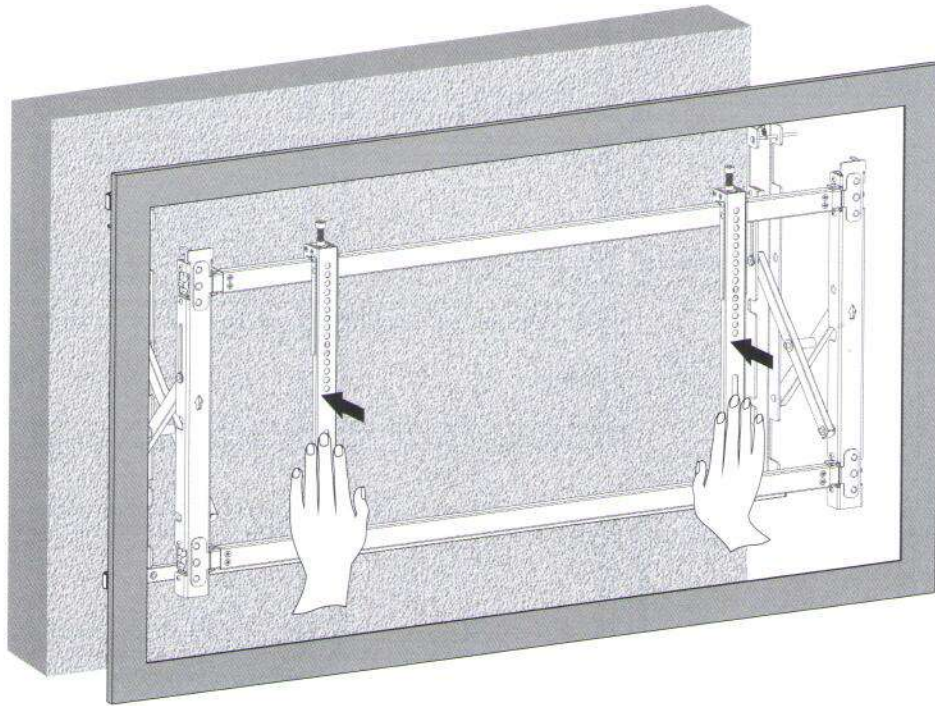
- Choose the appropriate screws, washers and spacers (if necessary) according to the type of screen.
- Center the adapter brackets on the back of the display as shown, and screw the brackets onto the display, being sure to not over-tighten.

6. Hook the Display onto the Wall Plate



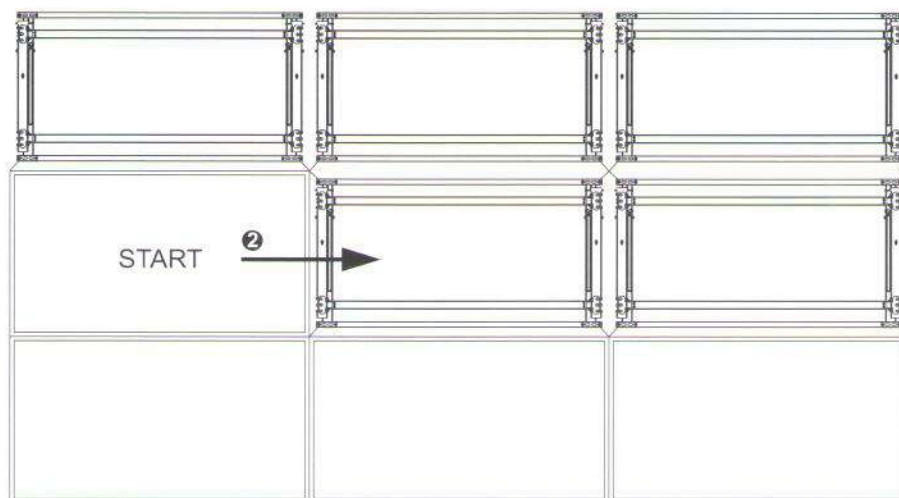
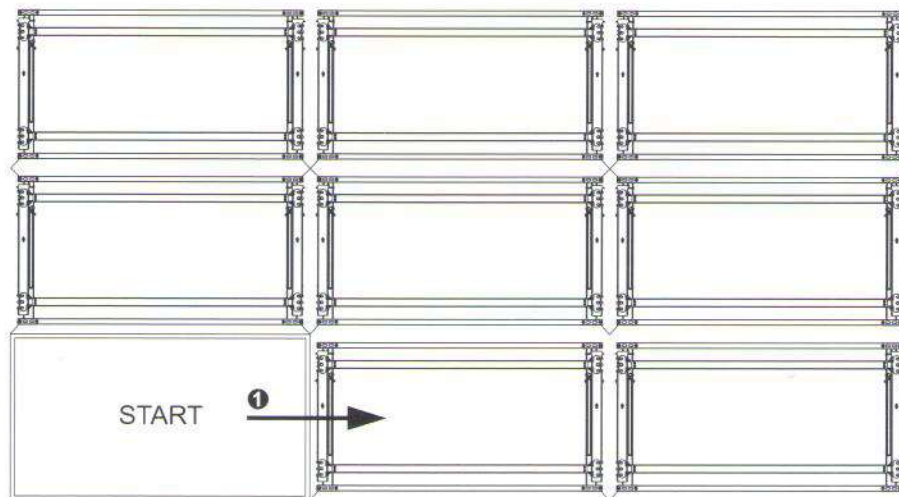
Insert and tighten the screw to secure.

7. Push the Screen Back



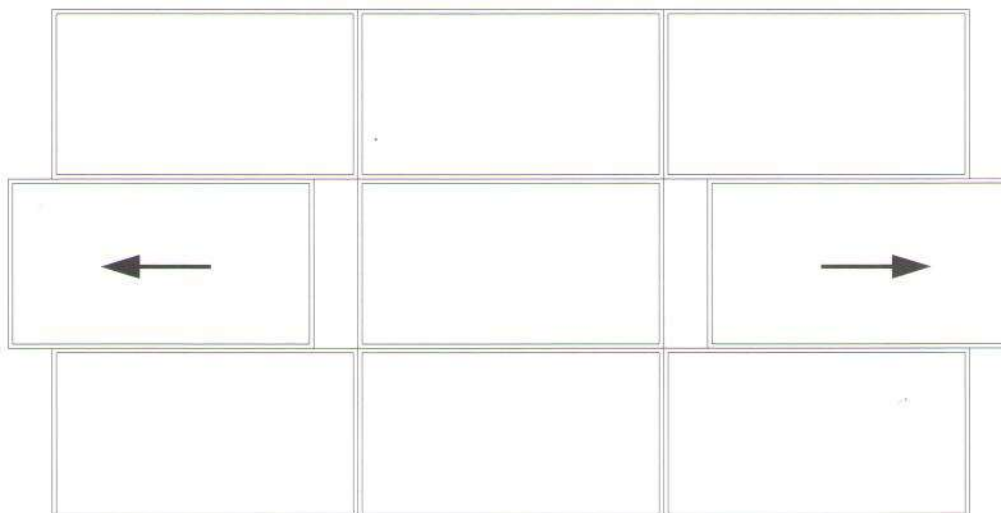
8. Video Wall Installation

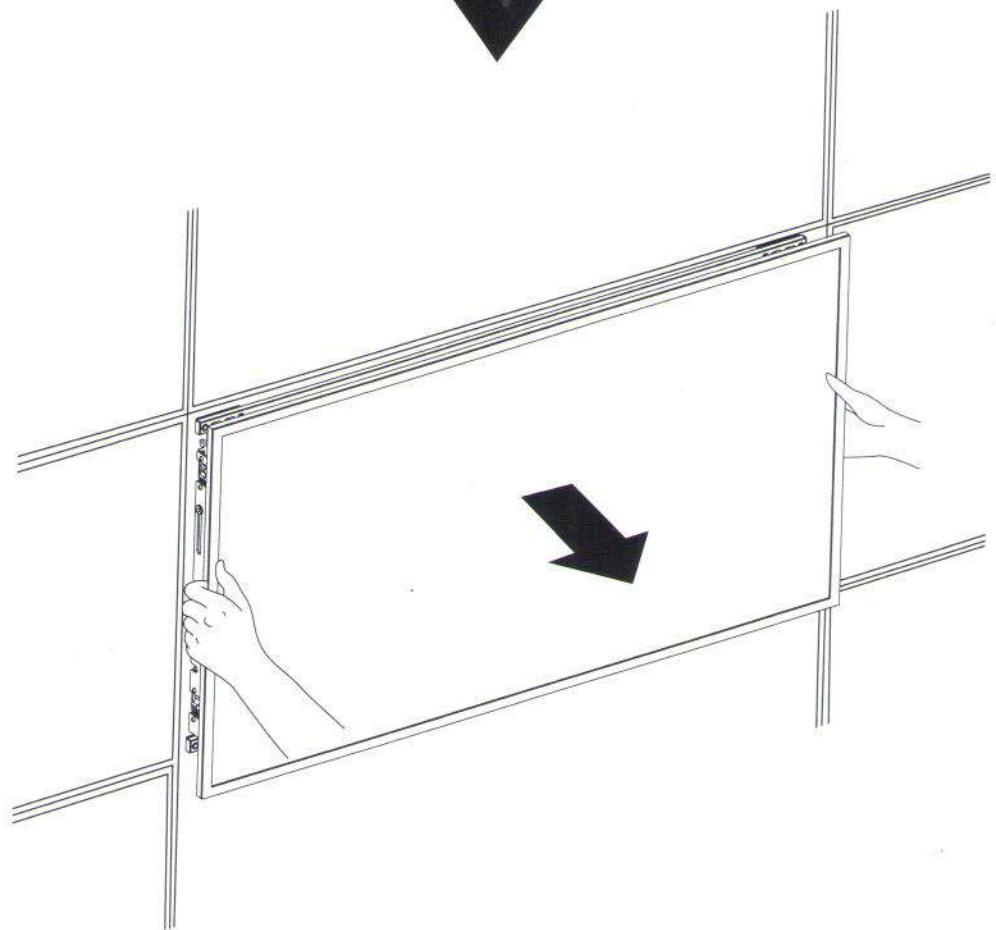
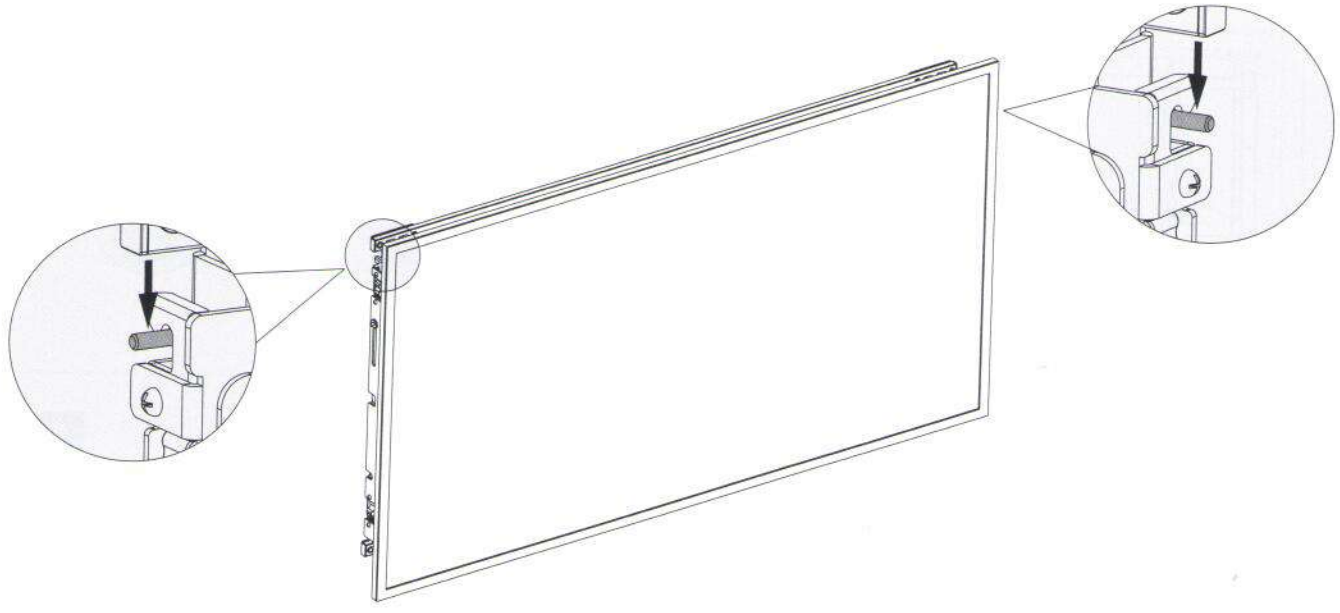
Note: Please start from the left at bottom.



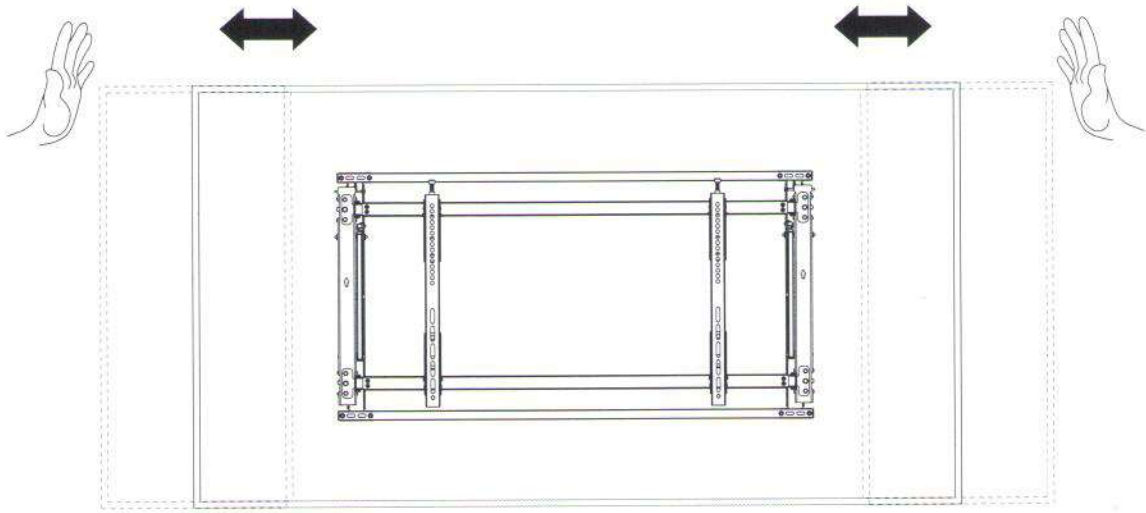
9. Remove the Screens

Slide the screens on both sides, then unlock and extend the screen that you're going to remove.

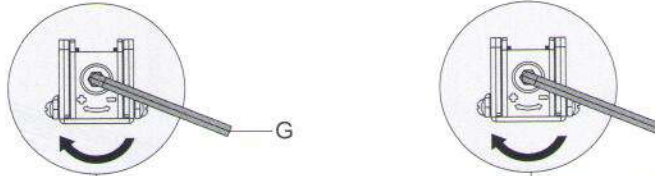




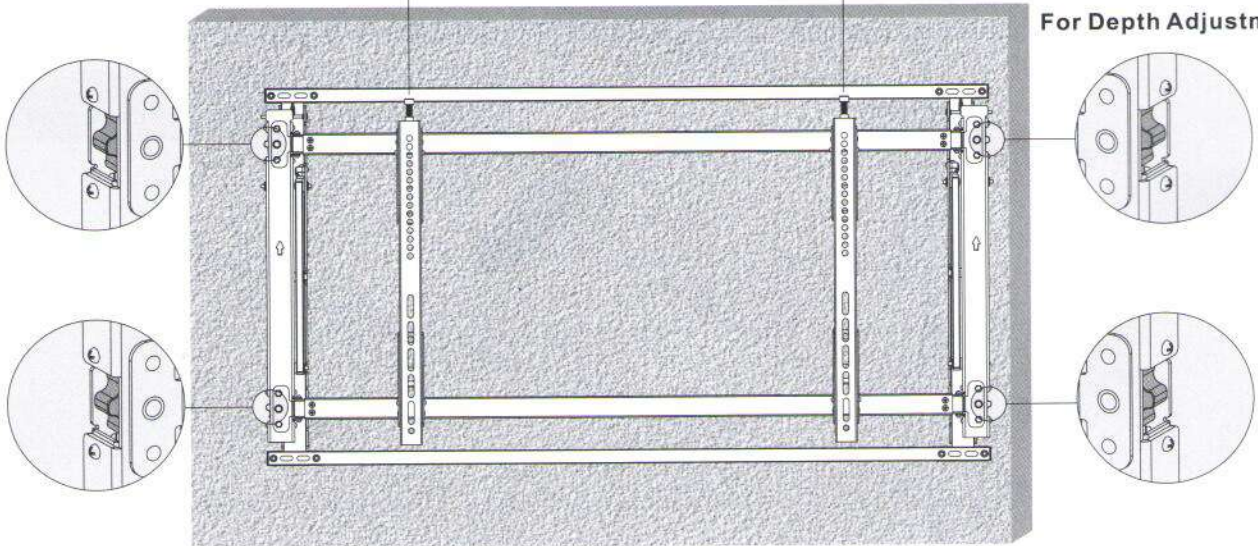
10. Adjustment



For Height Adjustment

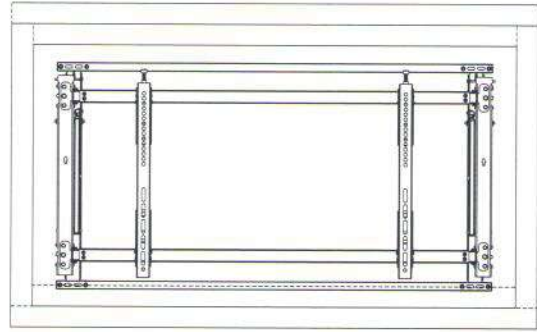
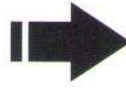
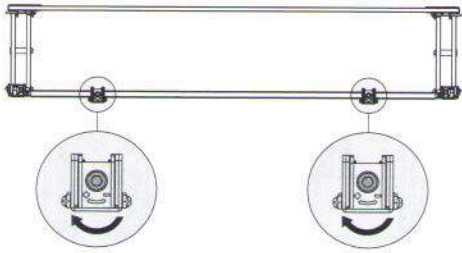


For Depth Adjustment

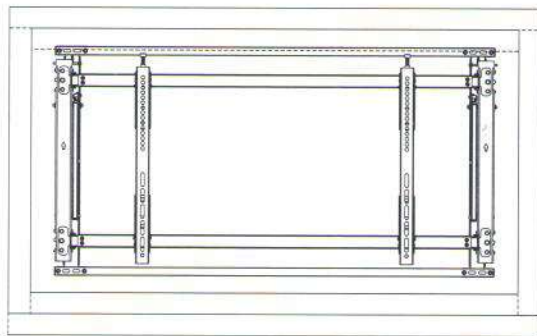
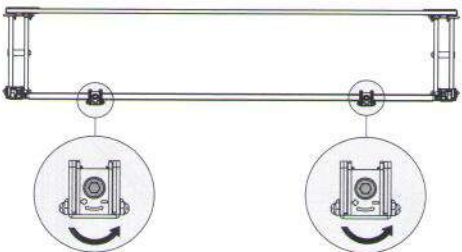


Height adjustment

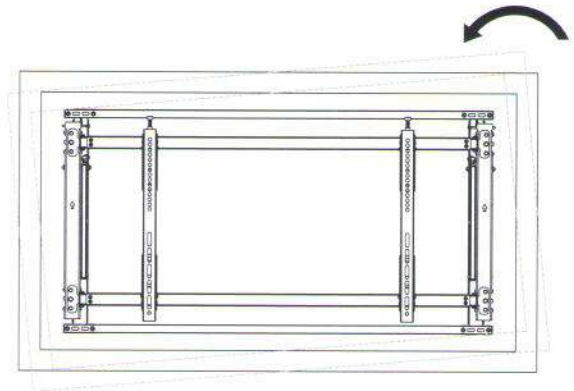
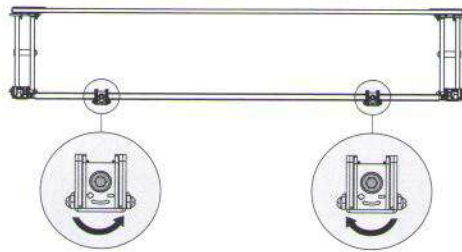
1



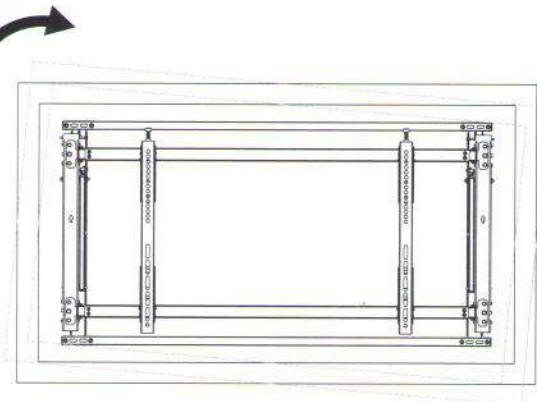
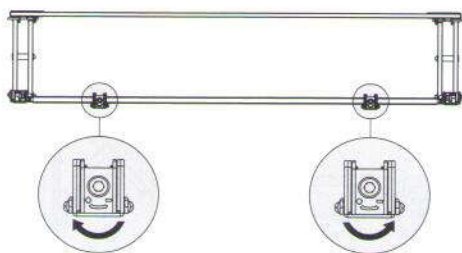
2



3

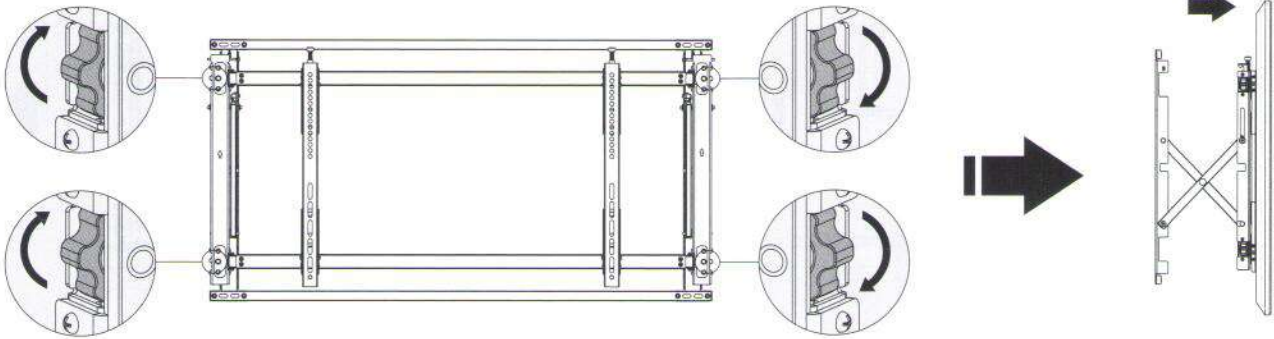


4

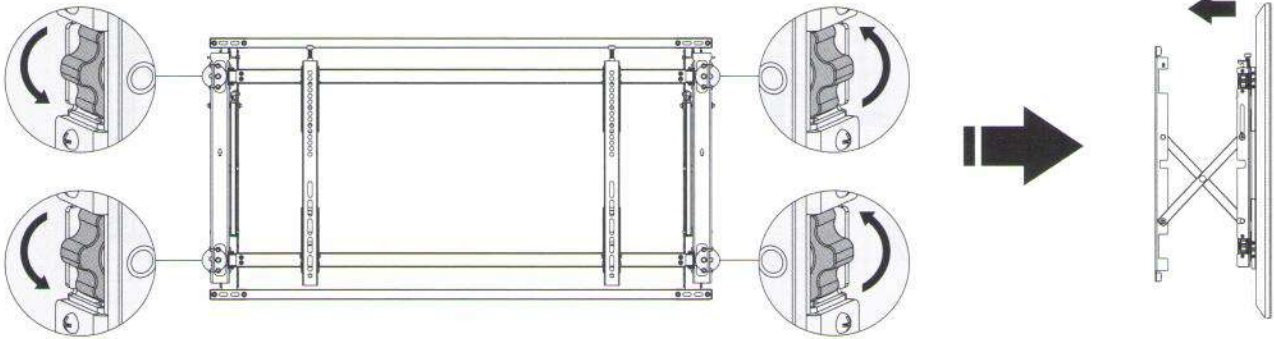


Depth Adjustment

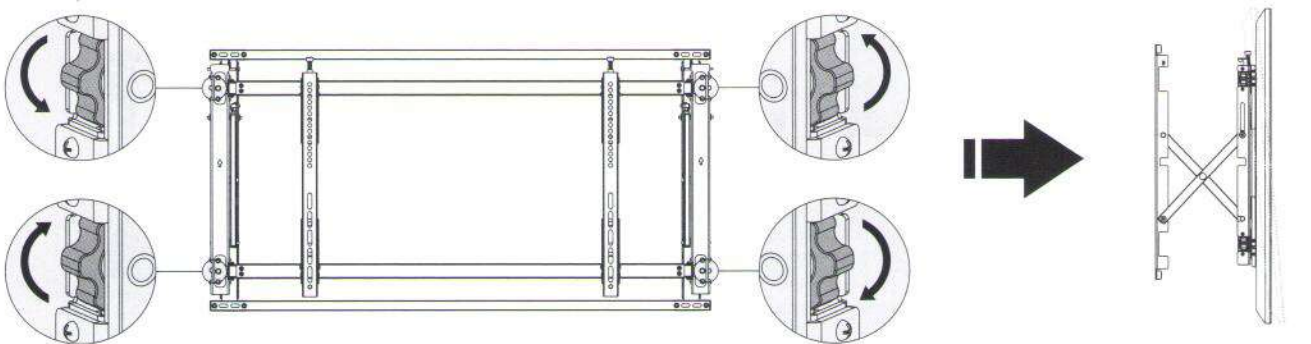
1



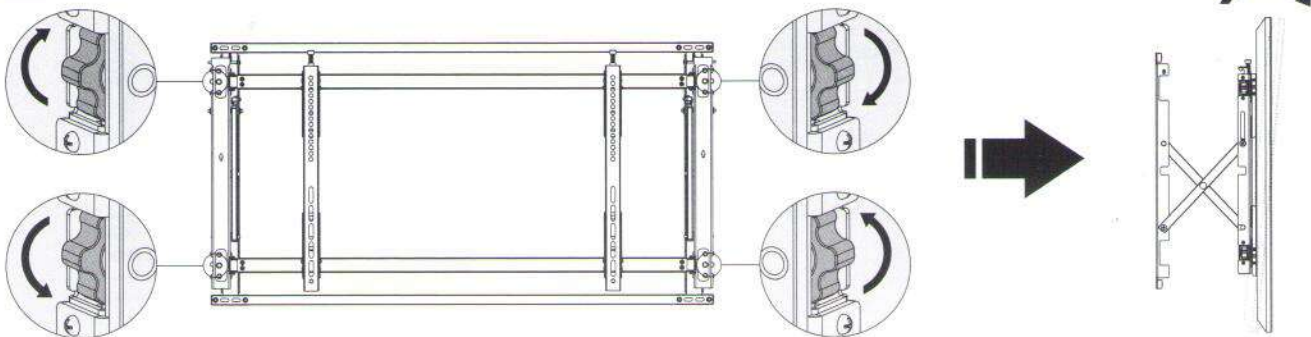
2

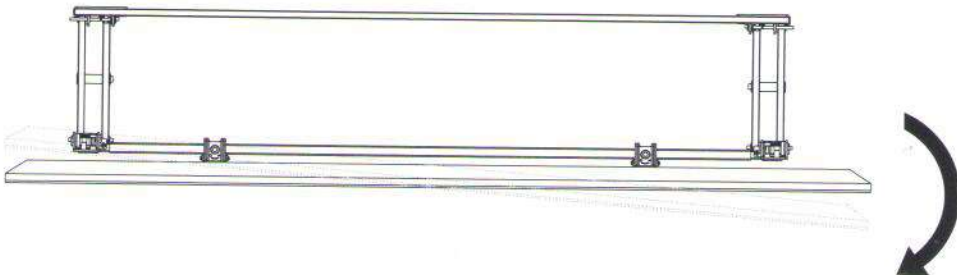
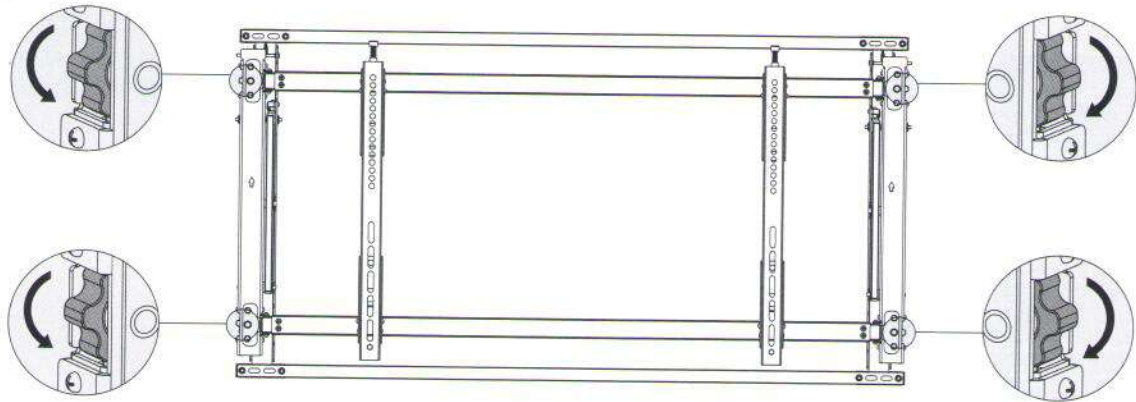
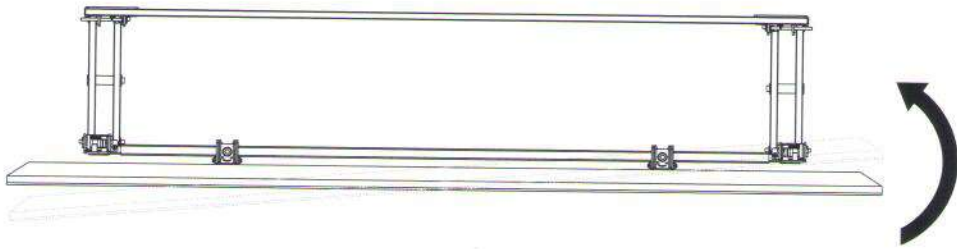
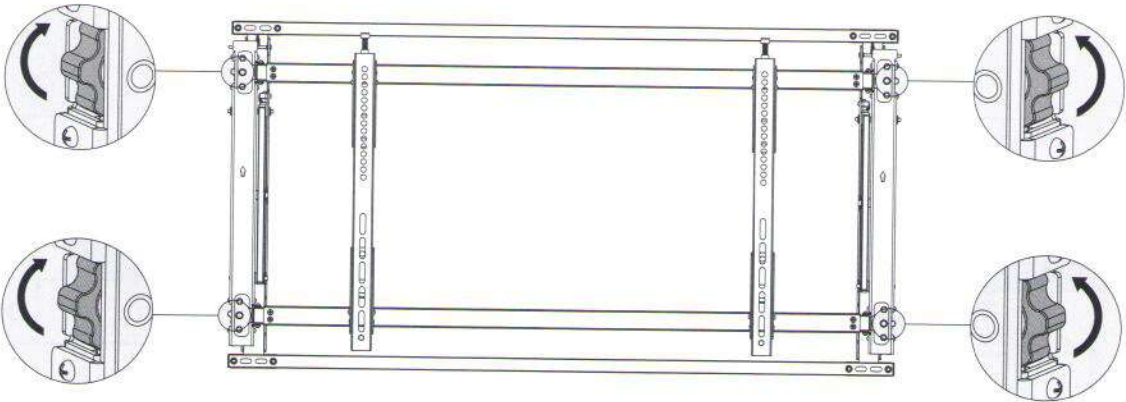


3

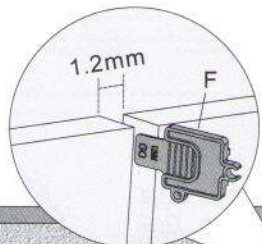
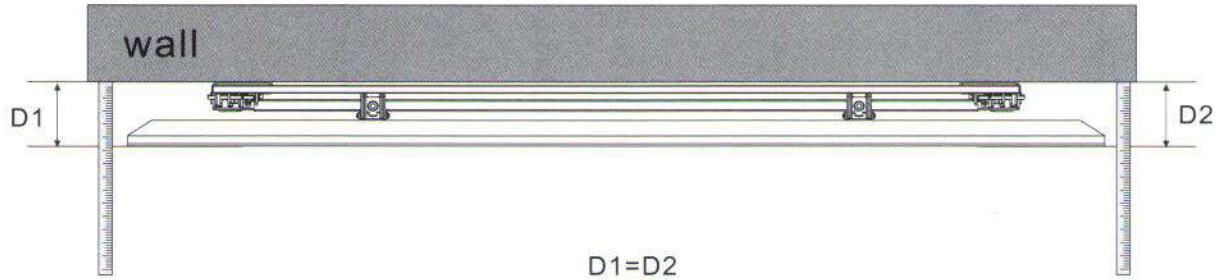
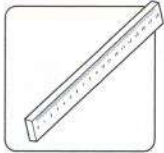


4

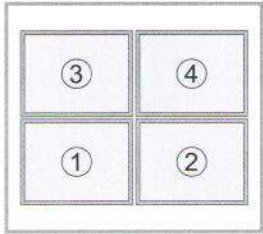




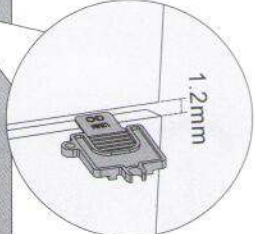
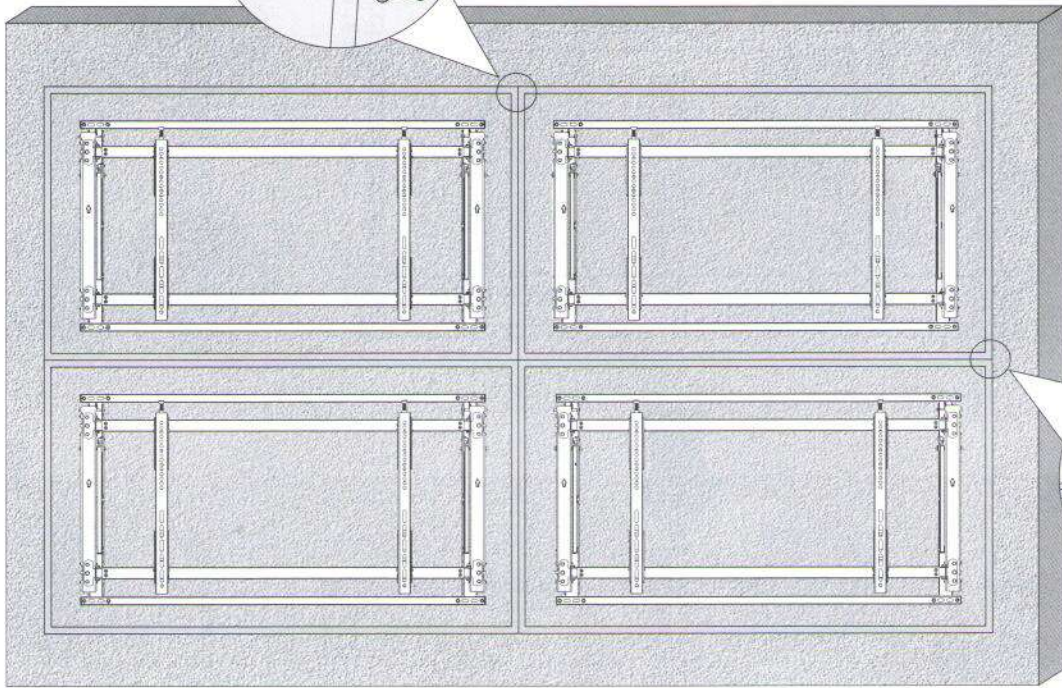
11. Level the Displays



Note: Use the plastic locking piece to measure and keep a 1.2 mm gap between displays.

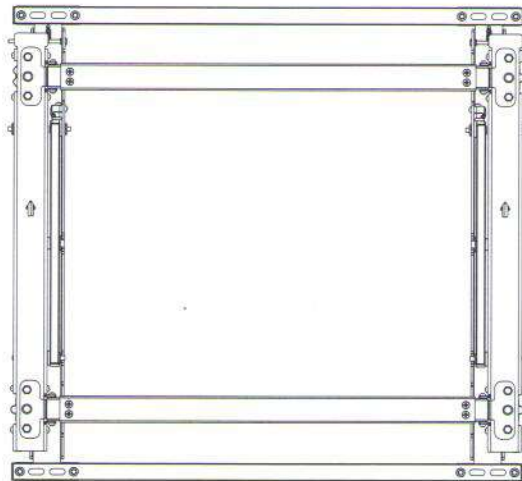
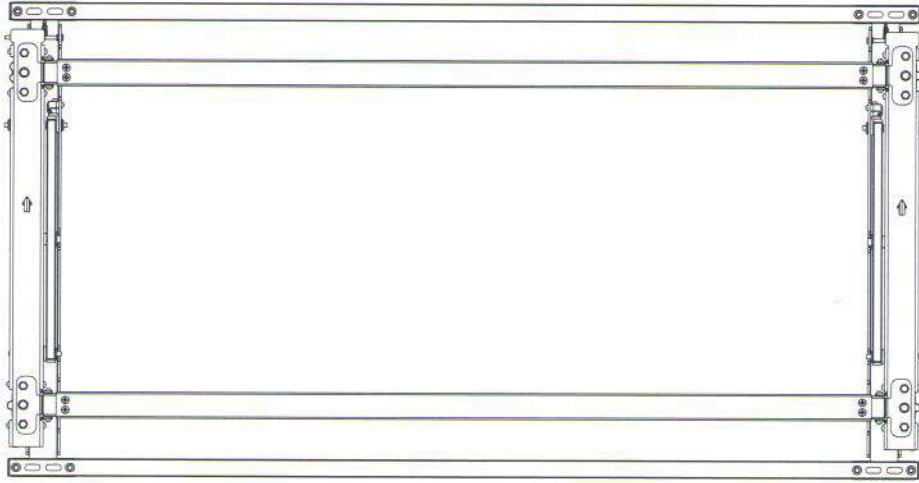


Note: Install/adjust the displays by the numerical order given.

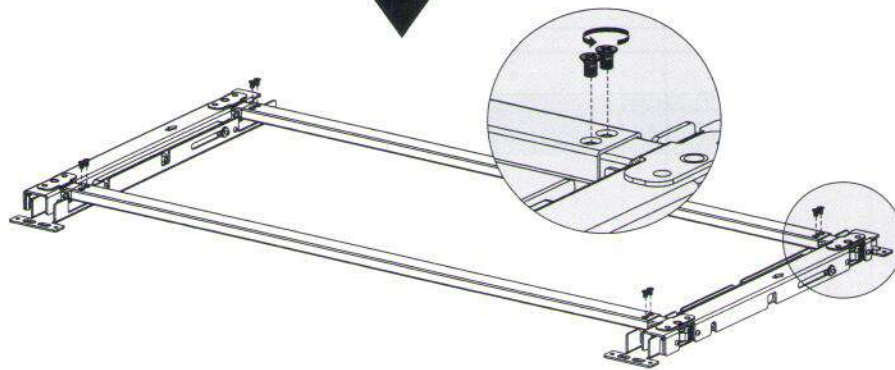
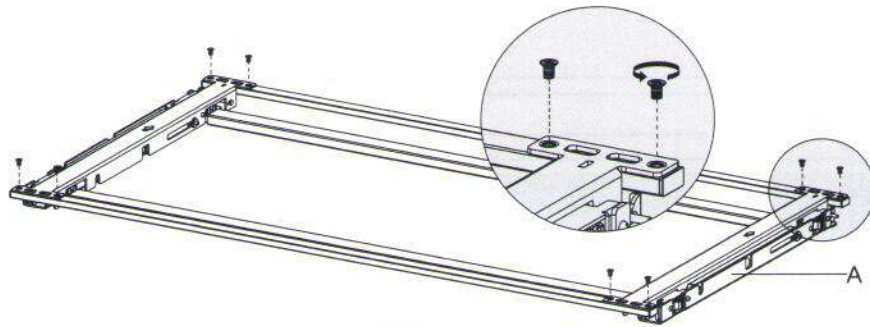


MAINTENANCE:
Check that the product is secure and safe to use at regular intervals (at least every three months).

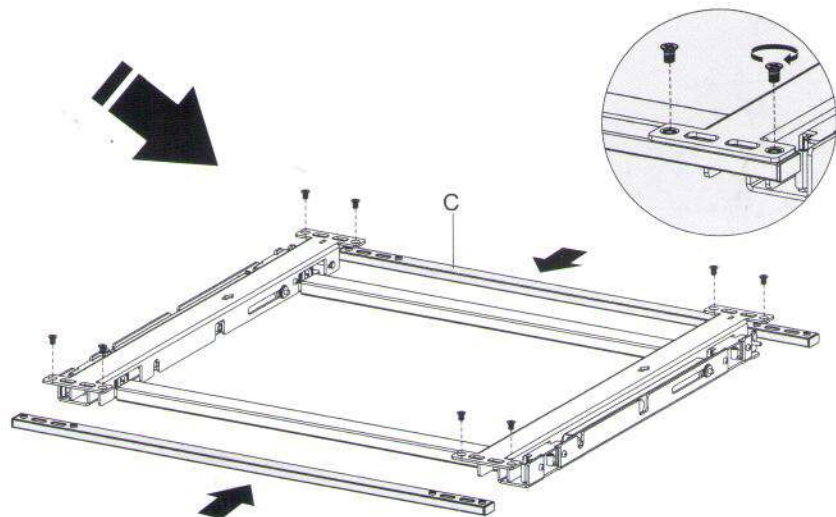
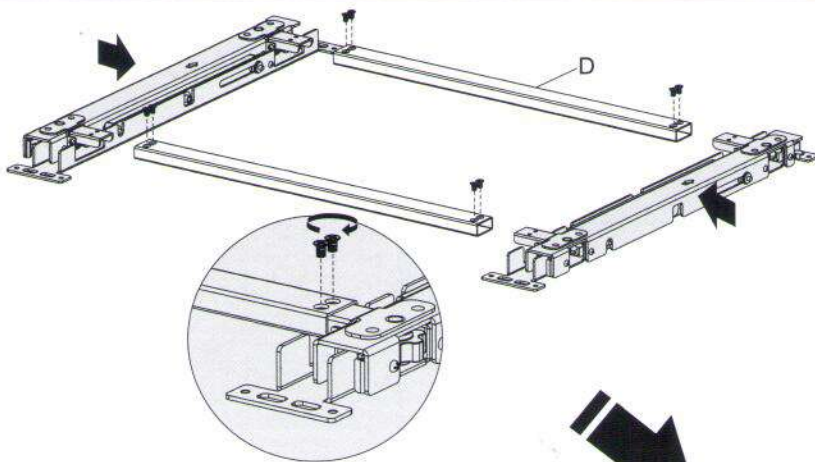
12. For Portrait Mounting: Reassemble the Wall Plate



13. Remove the Screws



14. Connect Tubes and Rods



Note: Next, you can continue the installation by following step 1.