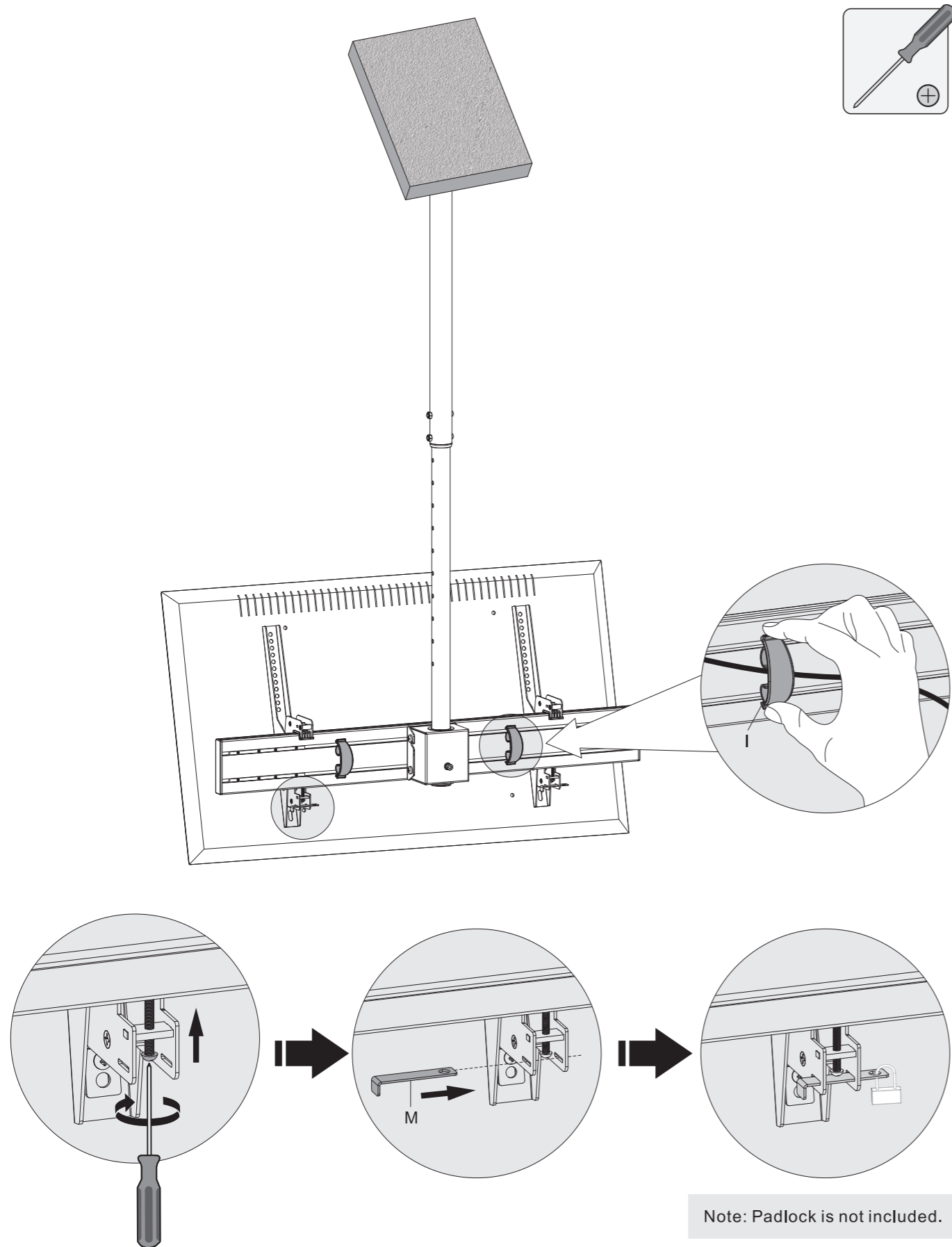


11. Secure with Padlock

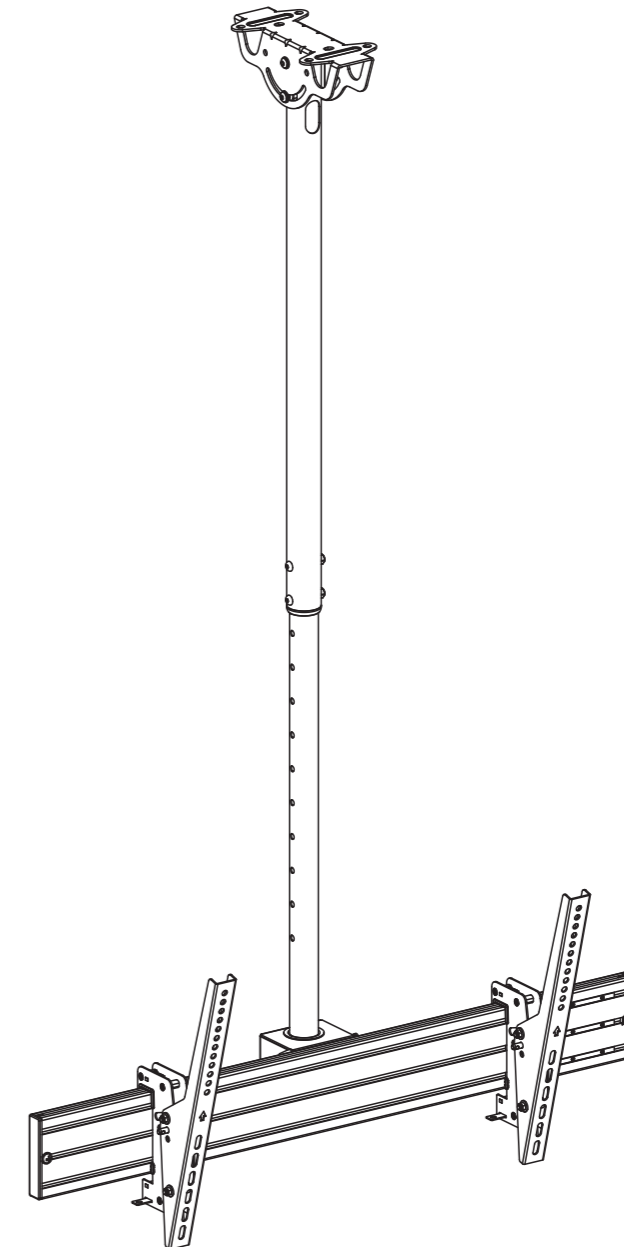


Note: Padlock is not included.

Maintenance

- Check that the bracket is secure and safe to use at regular intervals (at least every three months).
- Please contact your distributor if you have any questions.

Menu Board Wall Mount



INSTALLATION MANUAL

MT-1565



200x200/300x300
400x200/400x400
600x400



50kg/110lbs

Read the entire instruction manual before you start installation and assembly. If you have any questions regarding any of the instructions or warnings, please contact your local distributor for assistance.

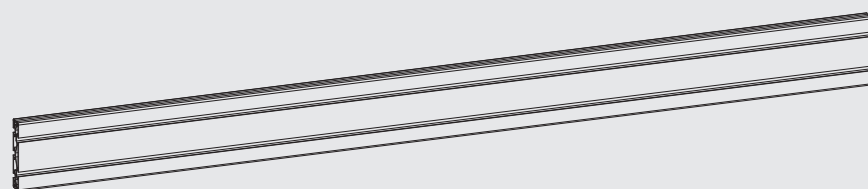
CAUTION

- Use with products heavier than the rated weights indicated may result in instability causing possible injury.
- Please closely follow the assembly instructions. Improper installation may result in damage or serious personal injury.
- Safety gear and proper tools must be used. This product should only be installed by professionals.
- This product is designed to be installed on solid concrete walls or masonry walls.
- Make sure that the supporting surface will safely support the combined weight of the equipment and all attached hardware and components.
- Use the mounting screws provided and DO NOT OVER TIGHTEN mounting screws.
- This product contains small items that could be a choking hazard if swallowed. Keep these items away from children.
- This product is intended for indoor use only. Using this product outdoors could lead to product failure and personal injury.

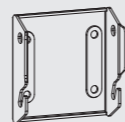
Recommended for Installation



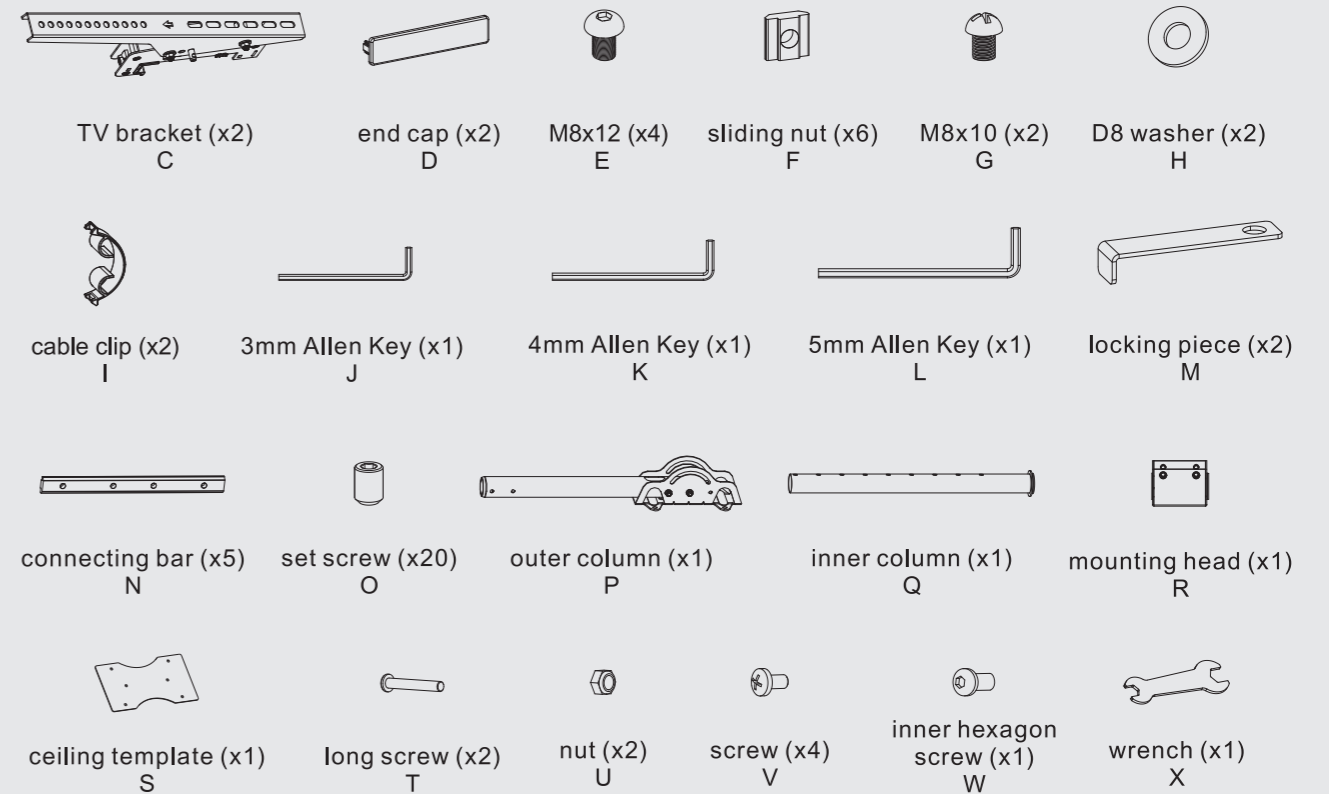
Component Checklist



mounting rail (x1)
A

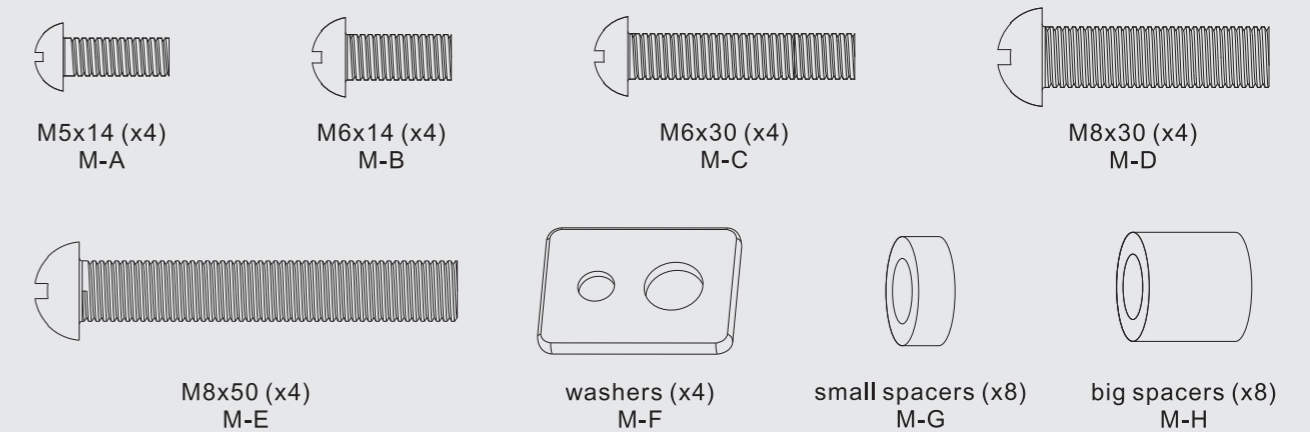


connecting plate (x1)
B

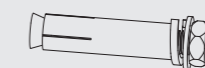


IMPORTANT: Ensure that you have received all parts according to the component checklist prior to installation. If any parts are missing or faulty, contact your place of purchase for a replacement.

Package M

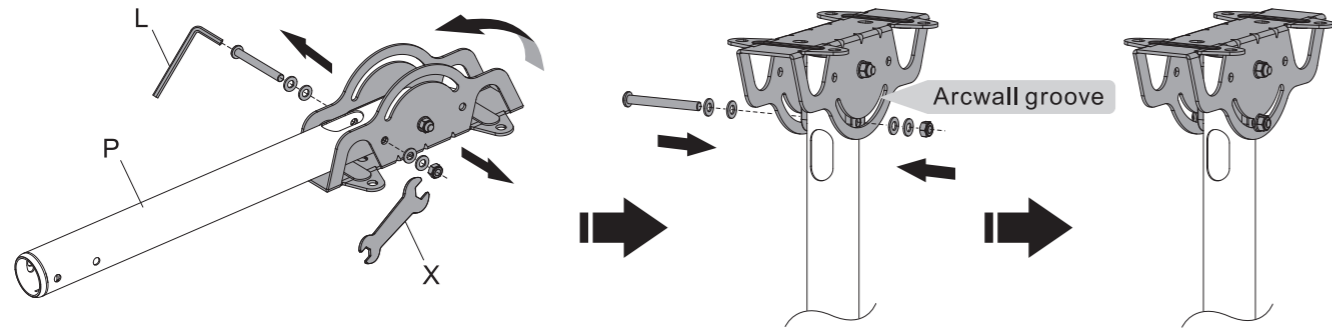


Package W

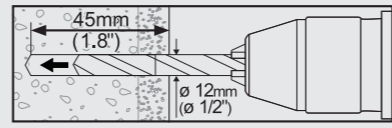
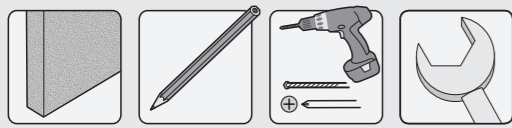


iron expansion bolt (x6)
W-A

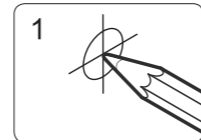
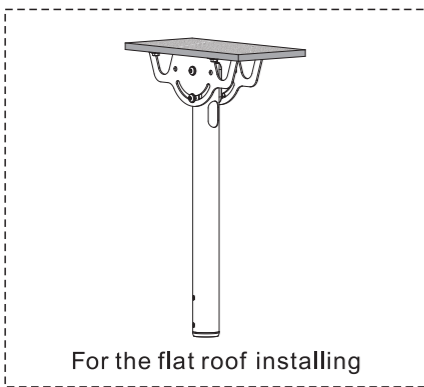
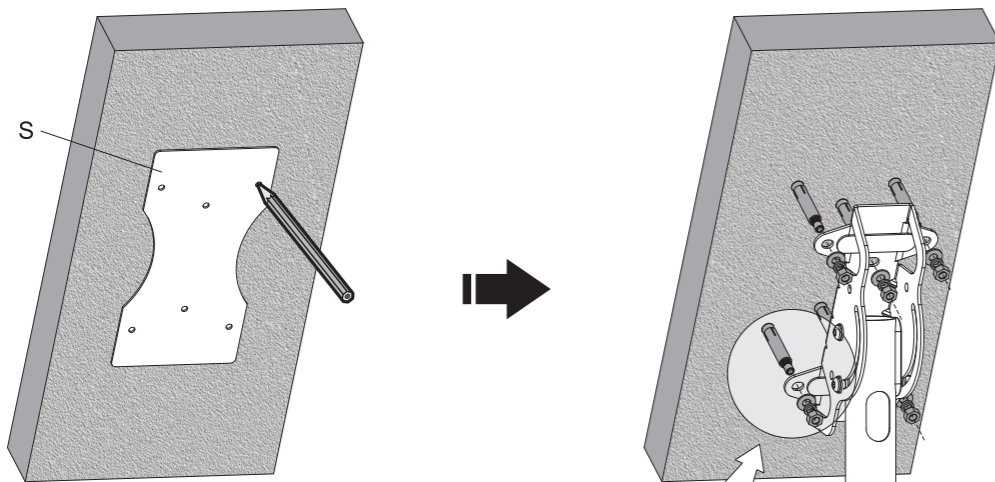
1. For Solid Brick and Concrete Mounting



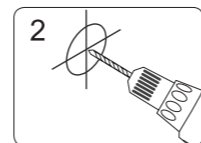
- Remove the screw.
- Turn the ceiling plate to make the arcwall grooves on the ceiling plate align with the holes on the column. Then reinstall the screw, washers and nut.



For the pitched roof installing



1
Mark the exact location of mounting holes

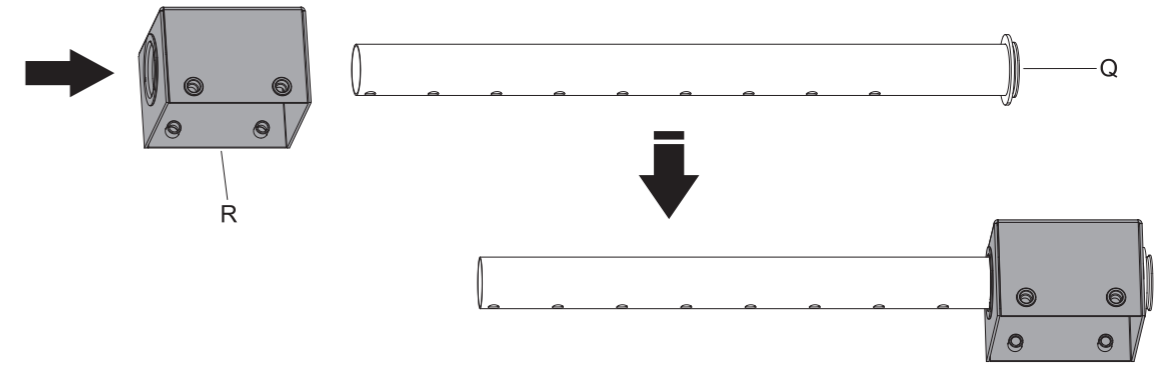


2
Drill six pilot holes

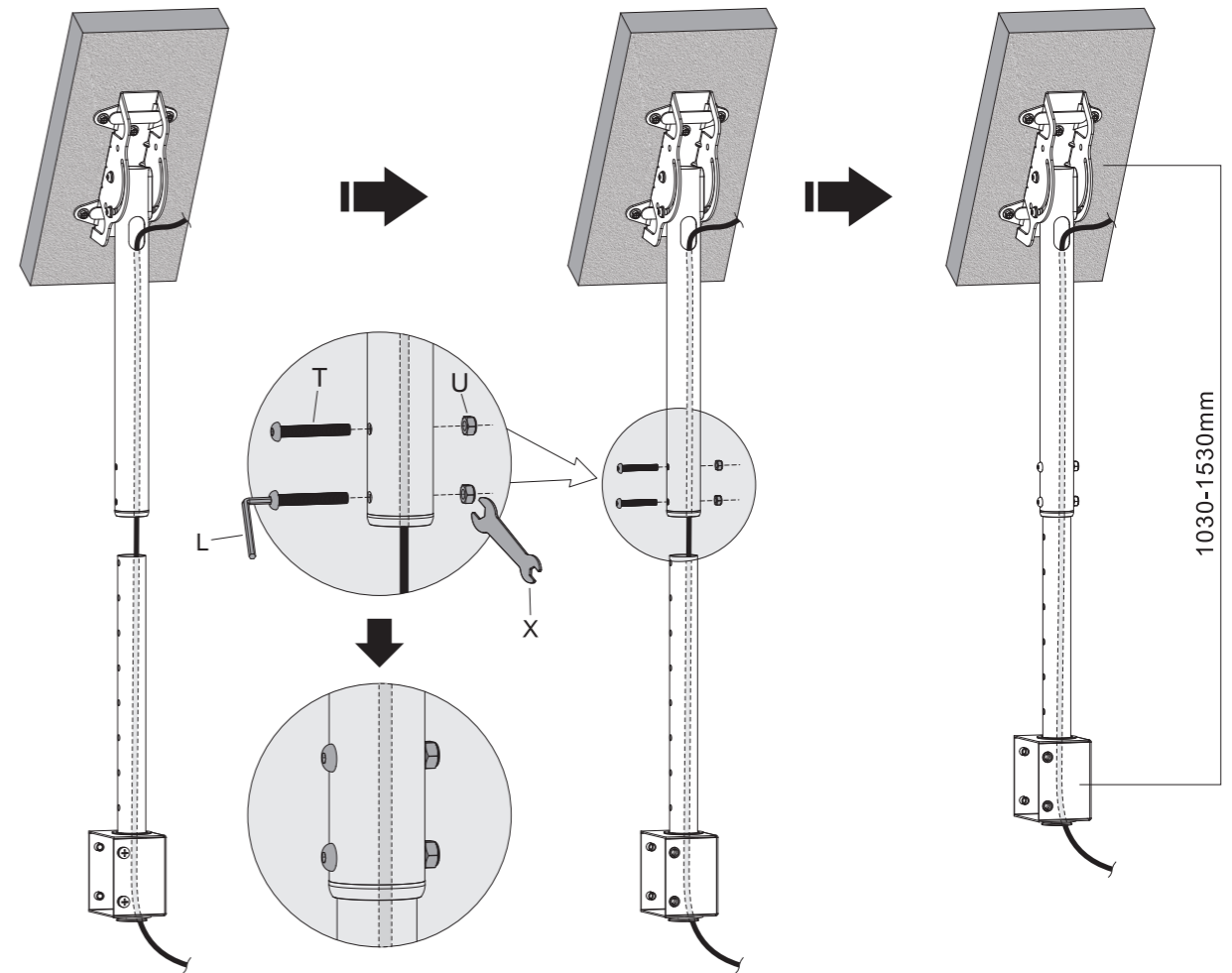


Screw the ceiling plate onto the ceiling

2. Install the Mounting Head



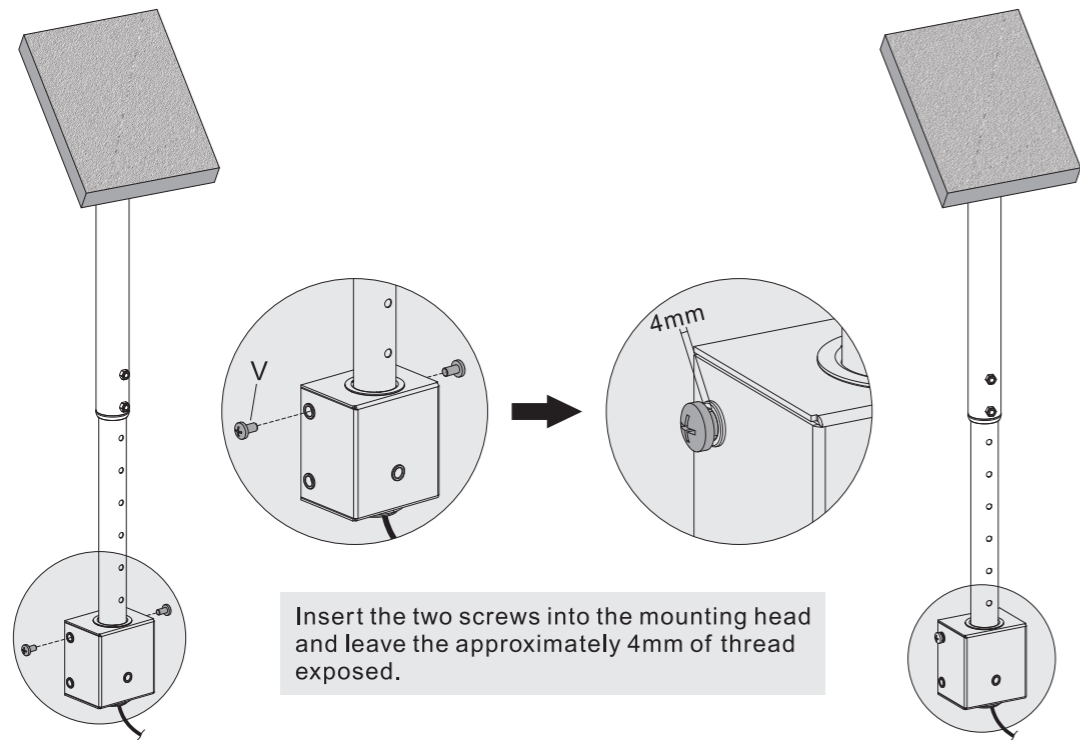
3. Install the Inner Column and Routing the Cable



- Routing the cable through the columns.
- Install the inner column into the outer column at desired height and secure using the appropriate screws and nuts.

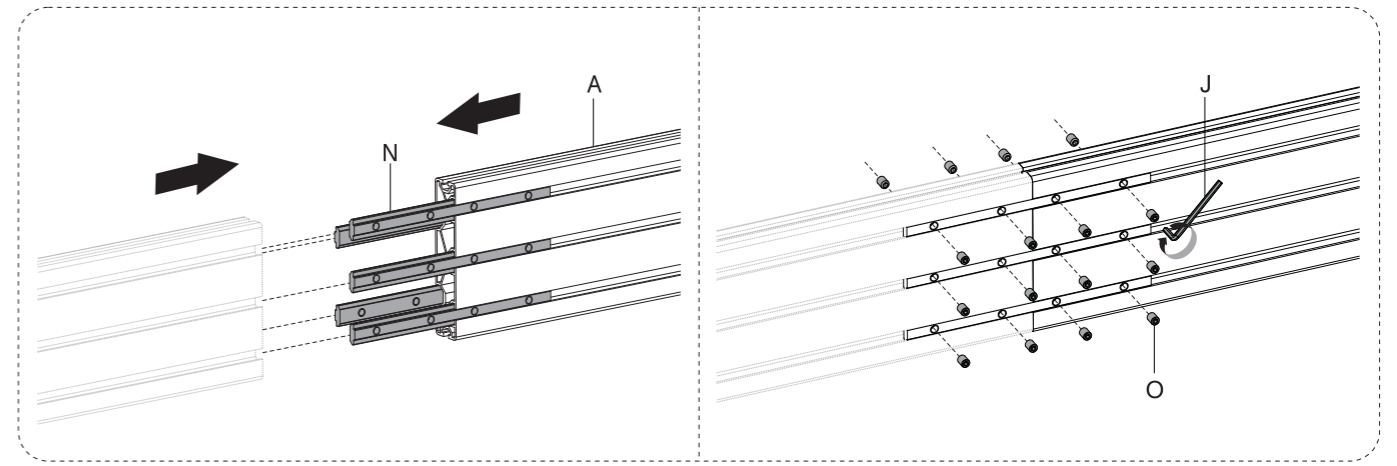
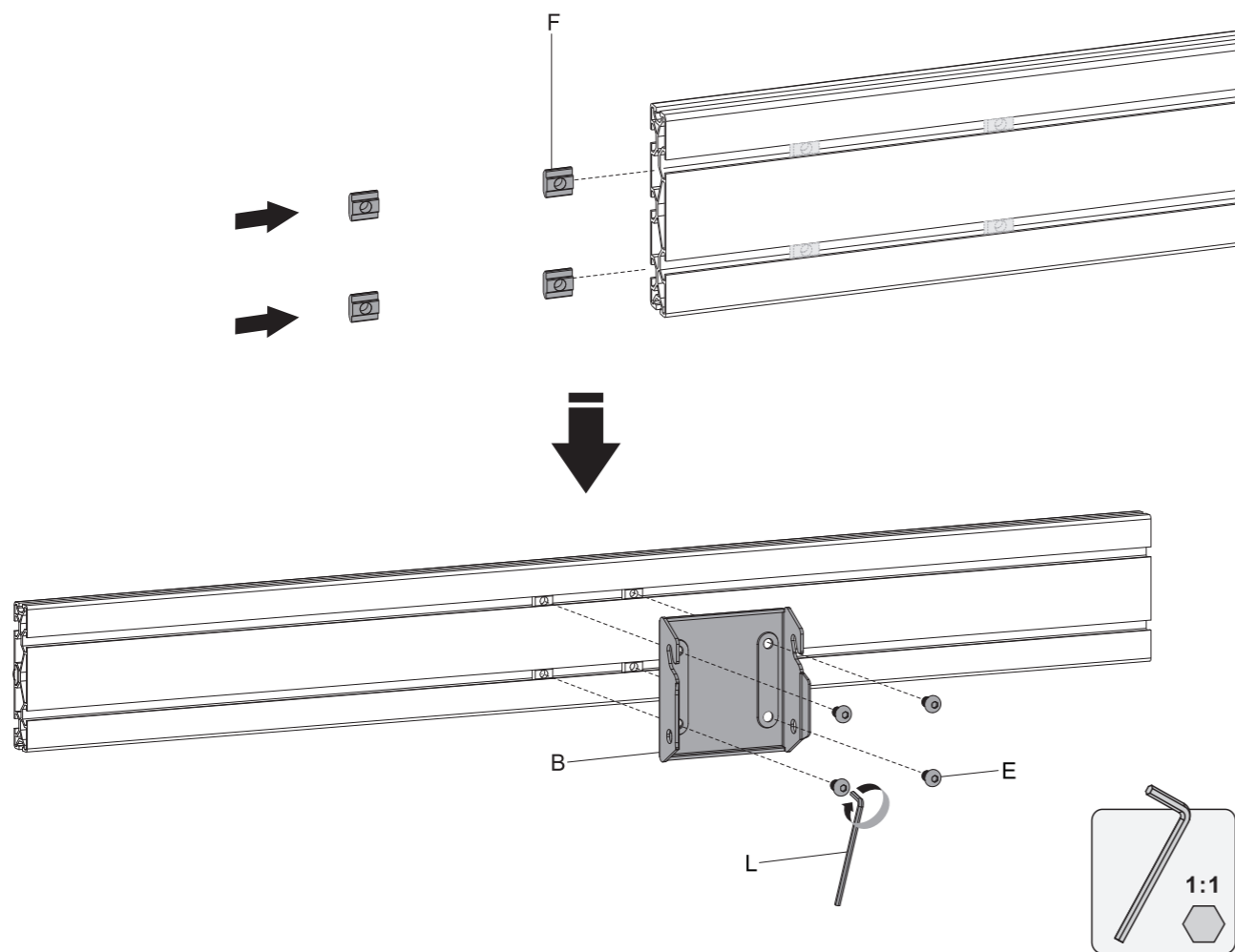
⚠ WARNING

Installers must verify that the supporting surface will safely support the combined weight of the equipment and all attached hardware and components.



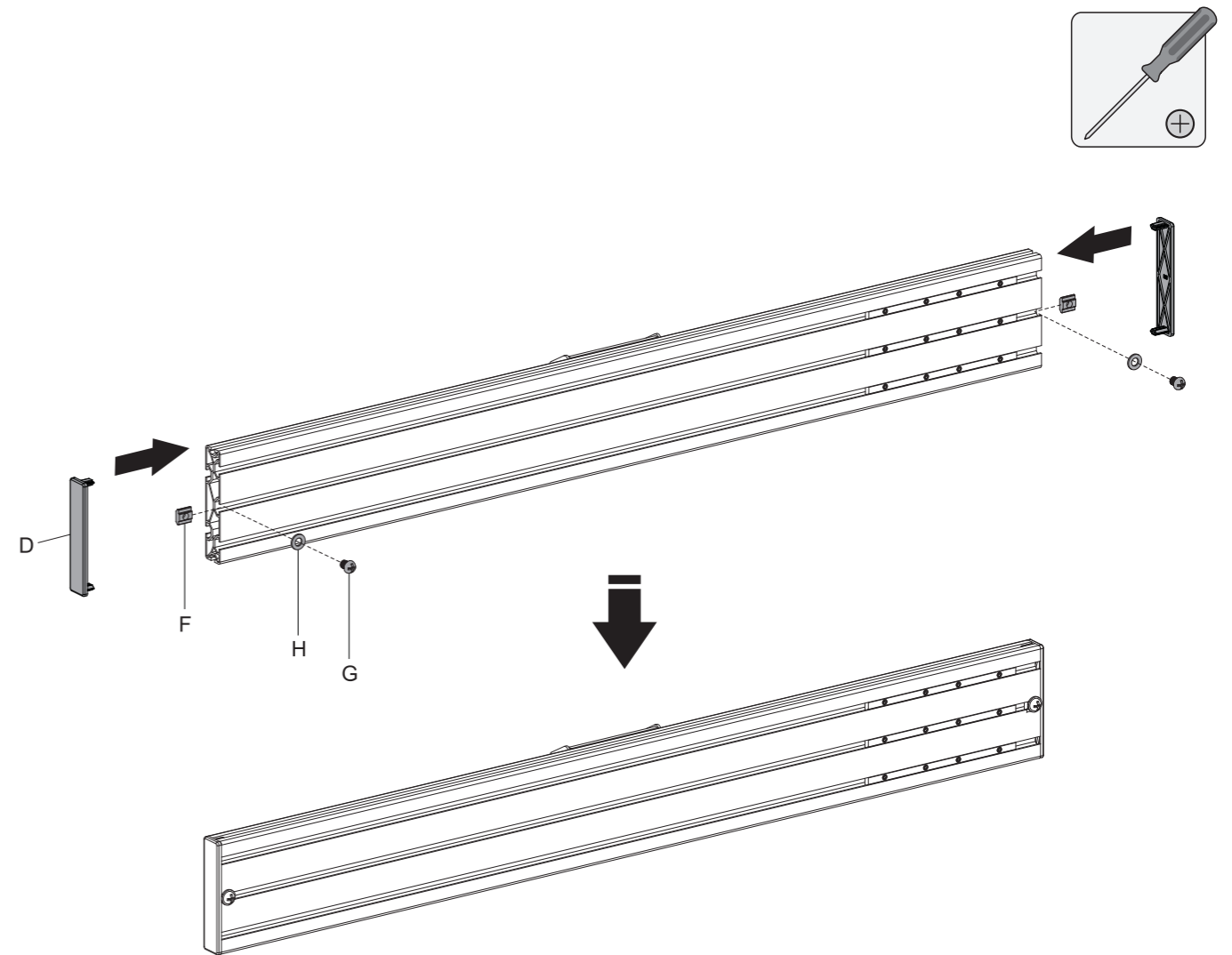
Insert the two screws into the mounting head and leave the approximately 4mm of thread exposed.

4. Attach Connecting Plate to the Mounting Rail

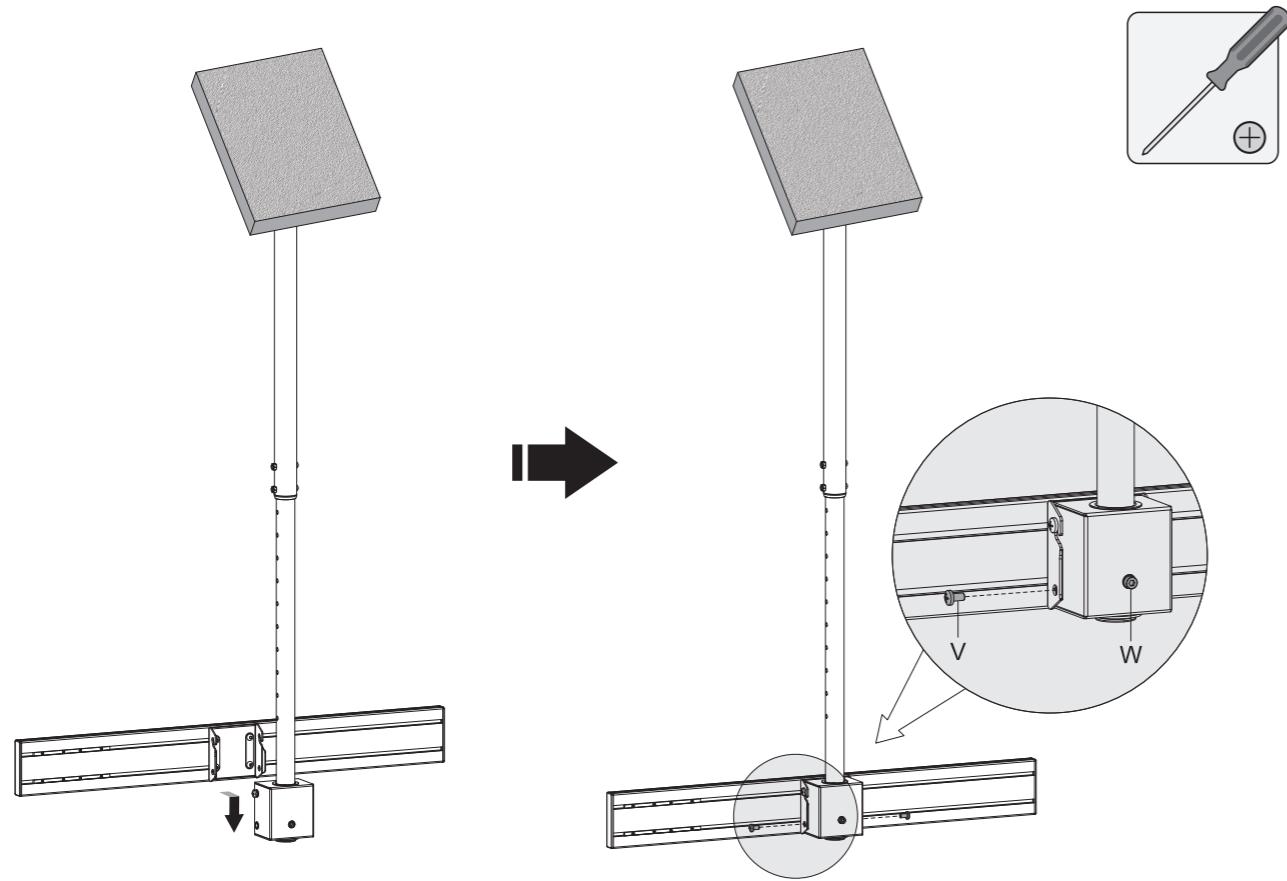


For multi-display applications, extend the mounting rail using connecting bars(N) and set screws(O) as shown.

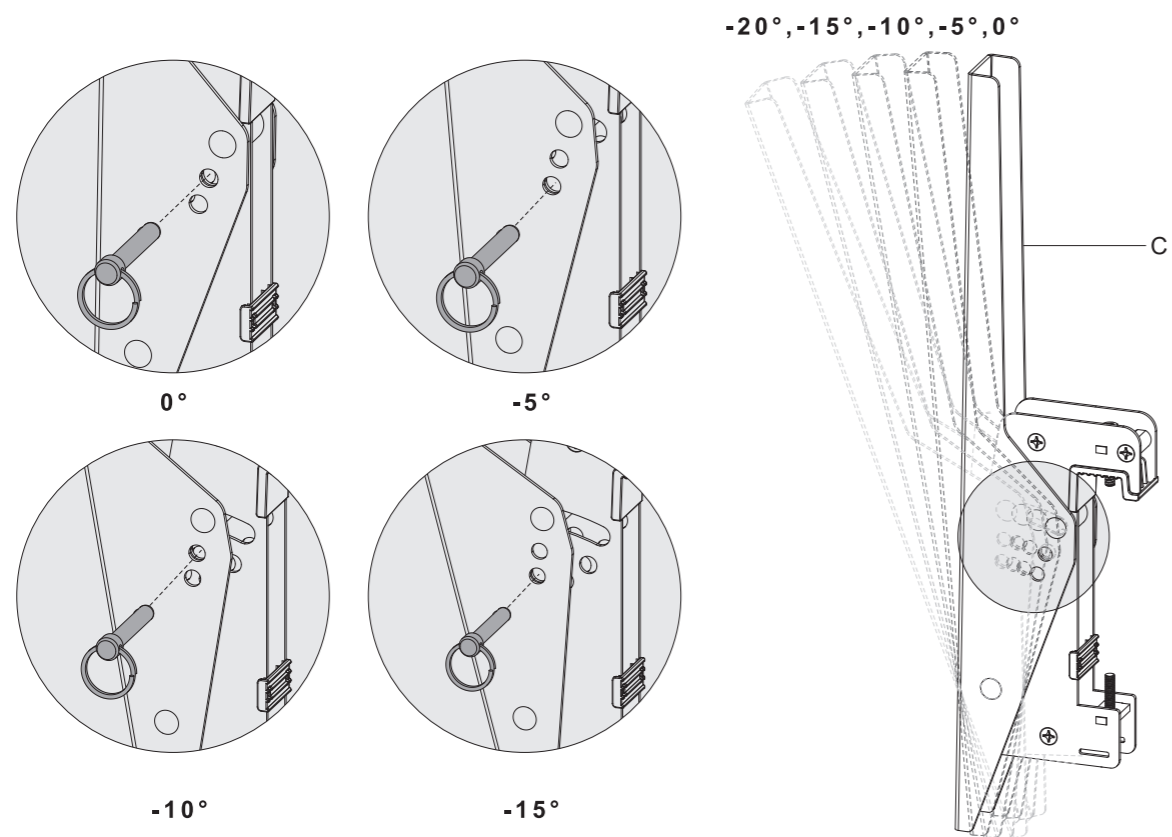
5. Install the End Cap



6. Install the Mounting Rail

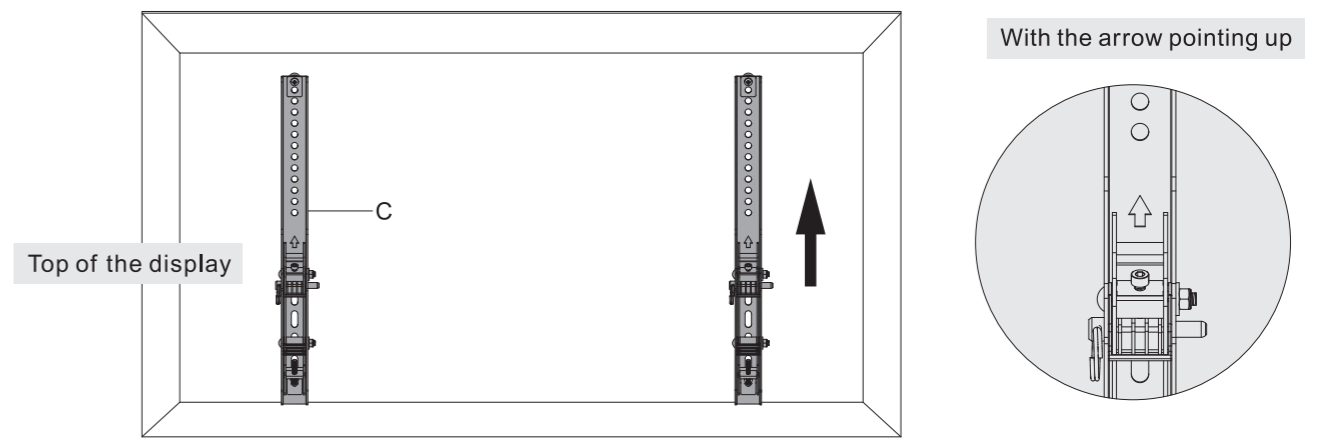


7. Tilt Adjustment

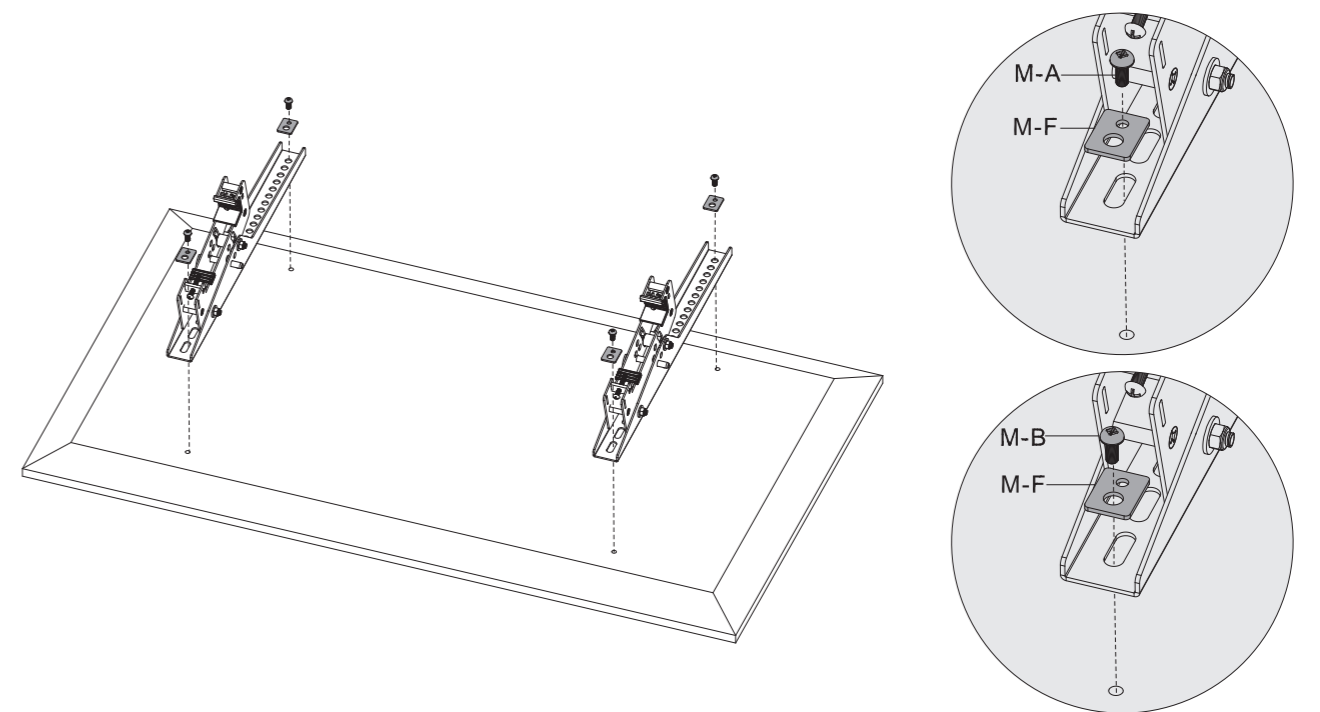


20° is the natural angle and the safety pin is unnecessary.

8. Attach TV Bracket



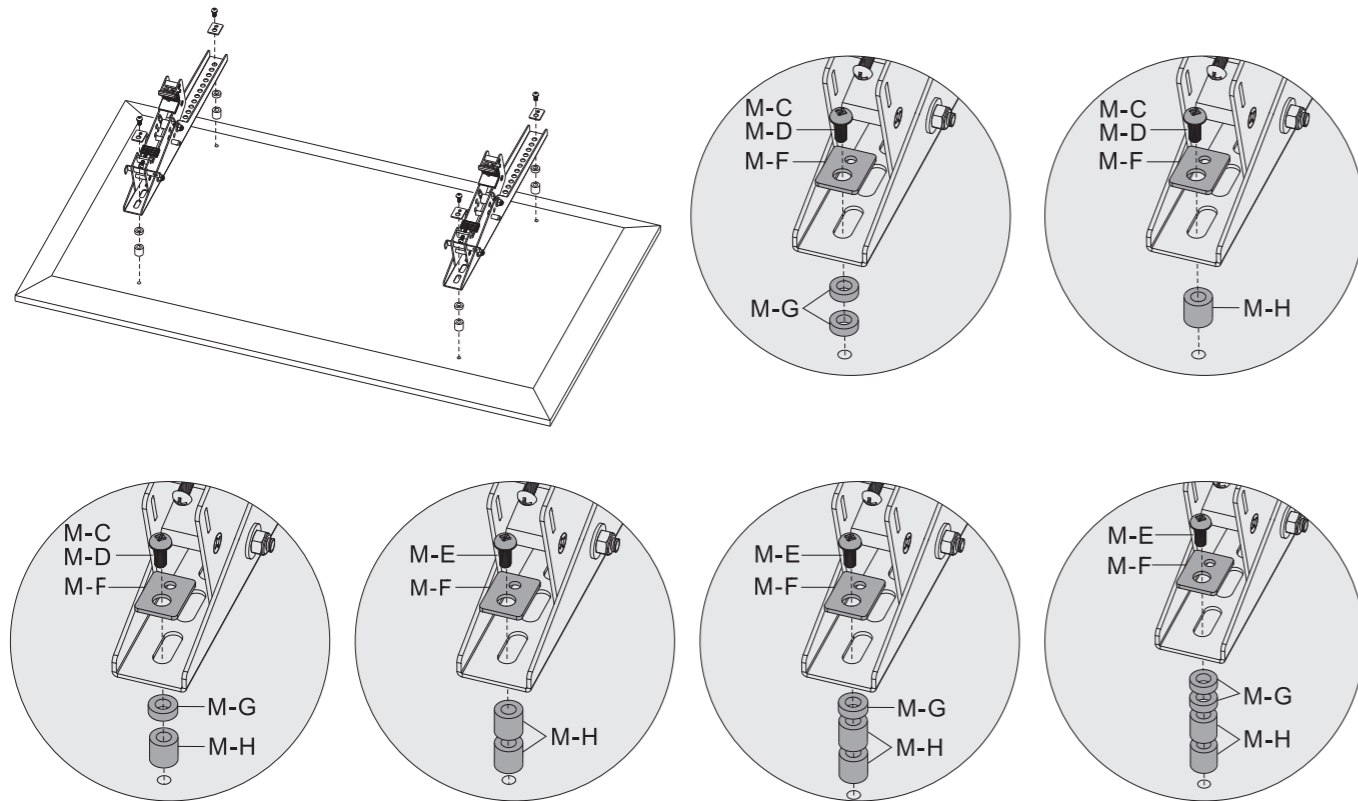
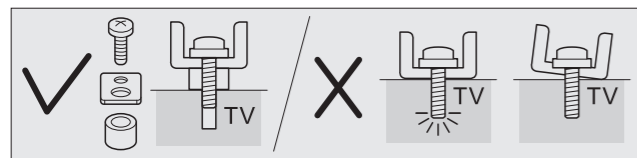
8a. Attach TV Bracket to Flat Back Screen



M-A			M-B		
M-F					

1:1

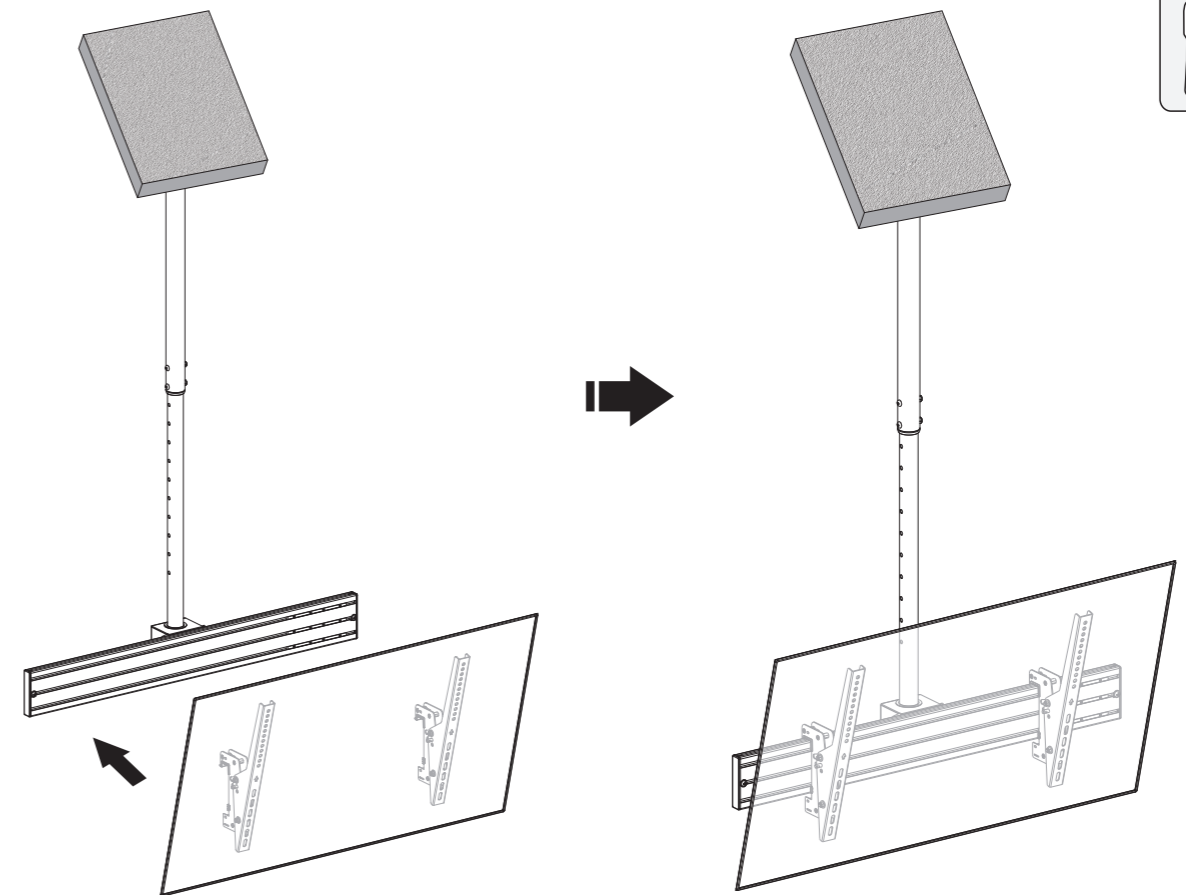
8b. Attach TV Bracket to Irregular Back Screen



M-C			M-D		
M-E			M-F		
M-G			M-H		

- Choose the appropriate screws, washers and spacers (if necessary) according to the type of screen.
- Center the adapter brackets on the back of the display as shown, and screw the brackets onto the display, being sure to not over-tighten.

9. Hang the Display



10. Level Adjustment

