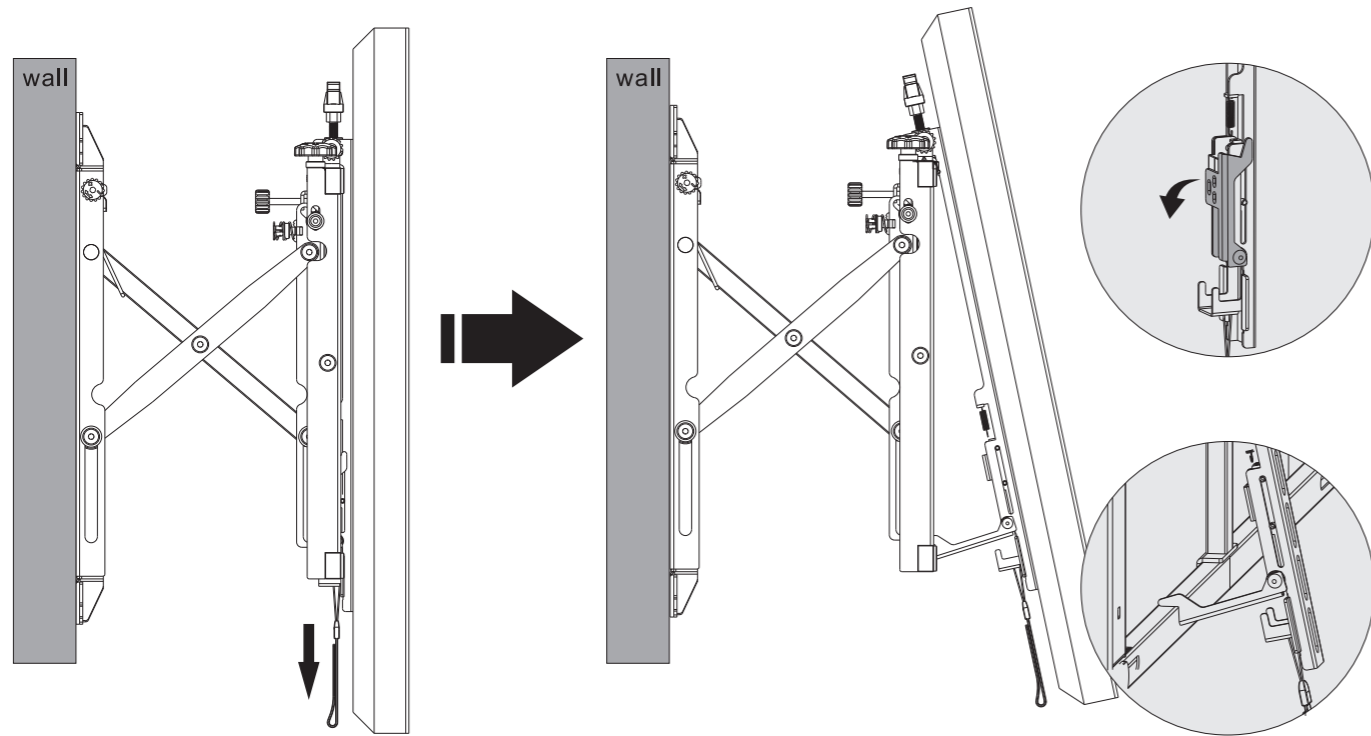
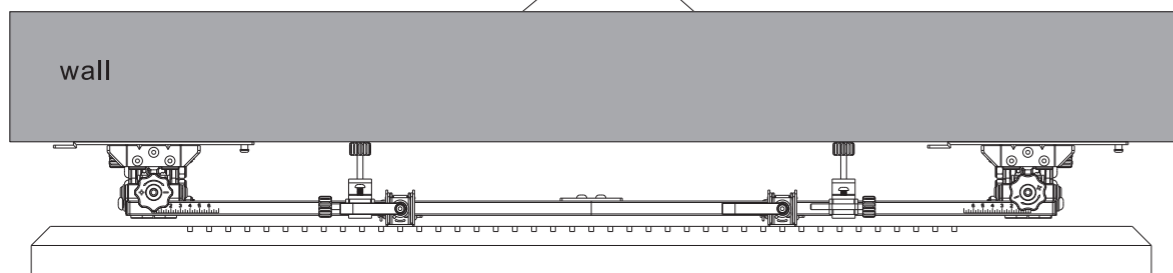
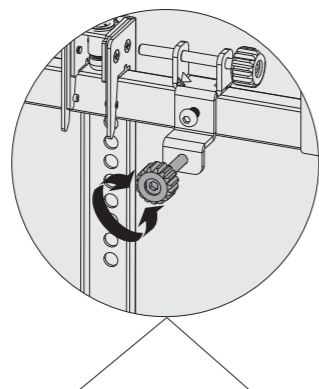
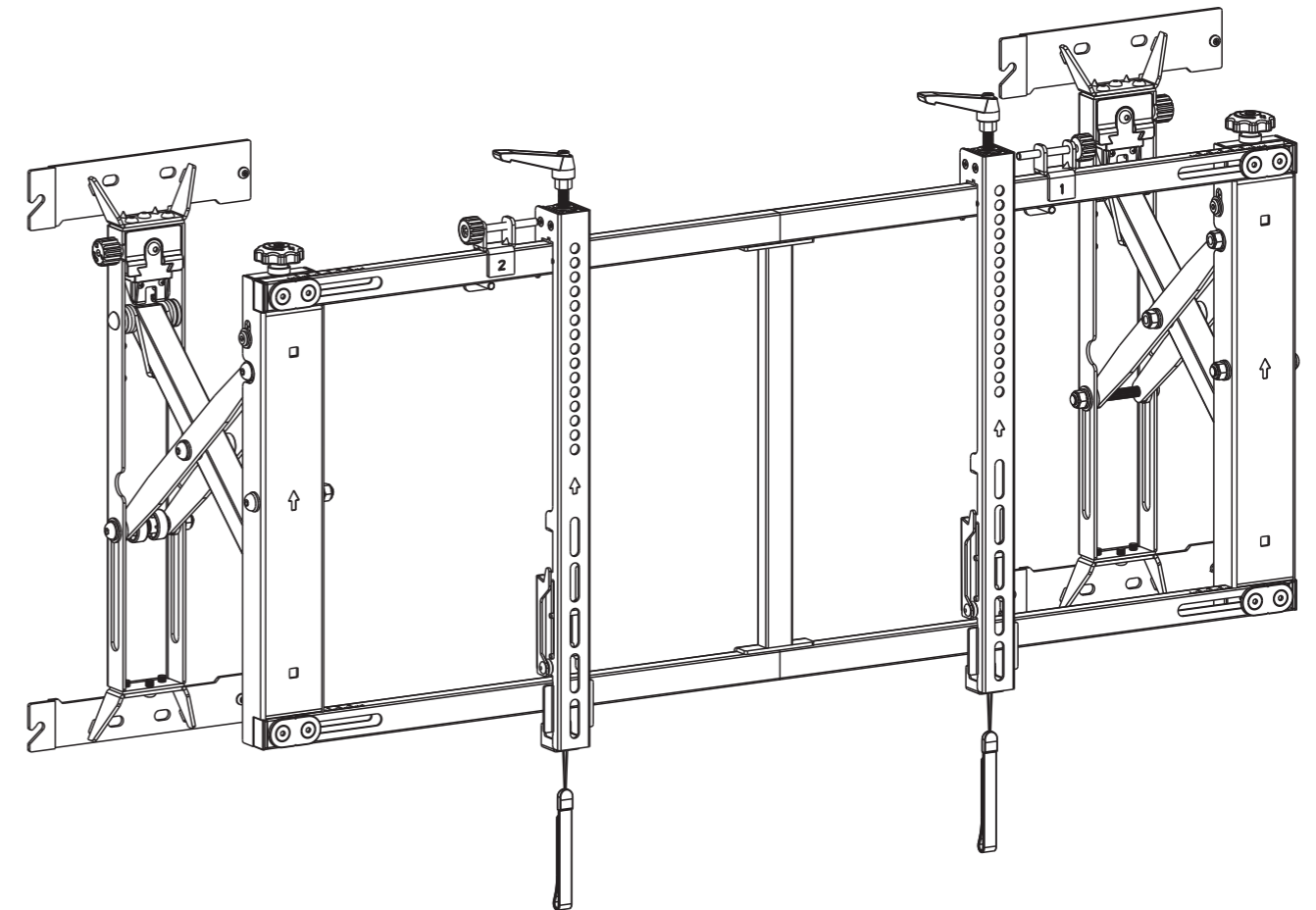


Quick Assembly Video Wall Mount



Kickstands provide tilt access for easy cable management and maintenance.



Adjust the safety screws adjacent to the wall to prevent accidental pop-outs.

INSTALLATION MANUAL

MT-1530-BK



200x200/300x200
300x300/400x200
400x300/400x400
600x400



50"
MAX



rated
70kg/154lbs

MT-1531-BK



200x200/300x200
300x300/400x200
400x300/400x400
600x400/800x400



55"
MAX



rated
70kg/154lbs

MT-1532-BK



200x200/300x200
300x300/400x200
400x300/400x400
600x400/800x400



60"
MAX



rated
70kg/154lbs

Read the entire instruction manual before you start installation and assembly. If you have any questions regarding any of the instructions or warnings, please contact your local distributor for assistance.

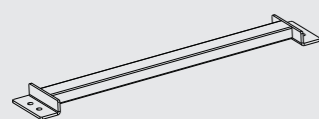
CAUTION

- Use with products heavier than the rated weights indicated may result in instability causing possible injury.
- Please closely follow the assembly instructions. Improper installation may result in damage or serious personal injury.
- Safety gear and proper tools must be used. This product should only be installed by professionals.
- This product is designed to be installed on solid concrete walls or masonry walls.
- Make sure that the supporting surface will safely support the combined weight of the equipment and all attached hardware and components.
- Use the mounting screws provided and **DO NOT OVER TIGHTEN** mounting screws.
- This product contains small items that could be a choking hazard if swallowed. Keep these items away from children.
- This product is intended for indoor use only. Using this product outdoors could lead to product failure and personal injury.

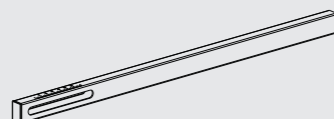
Required for Installation



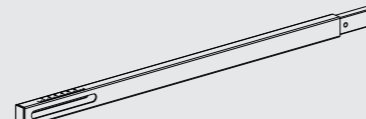
Component Checklist



column (x1)
A

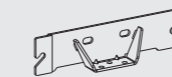


right mounting bar (x2)
B

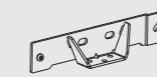


left mounting bar (x2)
C

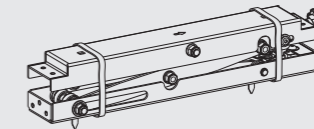
Component Checklist



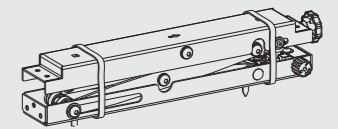
mounting feet (x2)
D



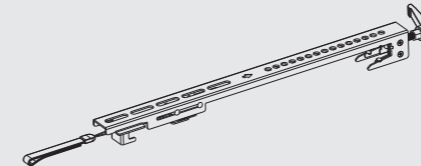
mounting feet (x2)
E



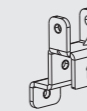
pop-out arm (x1)
F



pop-out arm (x1)
G



TV bracket (x2)
H



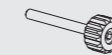
adjustment knob (x1)
I



adjustment knob (x1)
J



fix piece (x4)
K



safety screws (x4)
L



M (x16)



N (x8)



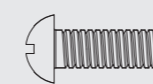
4mm Allen Key (x1)
O



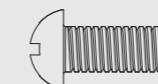
5mm Allen Key (x1)
P

IMPORTANT: Ensure that you have received all parts according to the component checklist prior to installation. If any parts are missing or faulty, telephone your local distributor for a replacement.

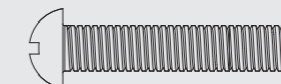
Package M



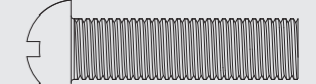
M5x14 (x4)
M-A



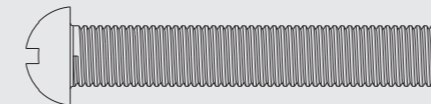
M6x14 (x4)
M-B



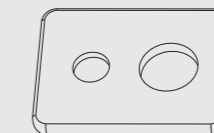
M6x30 (x4)
M-C



M8x30 (x4)
M-D



M8x50 (x4)
M-E



washers (x4)
M-F

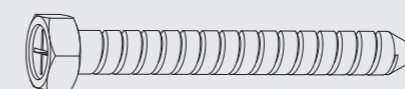


small spacers (x8)
M-G

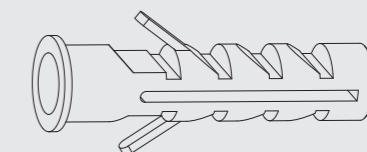


big spacers (x8)
M-H

Package W



ST6.3x55 (x8)
W-A

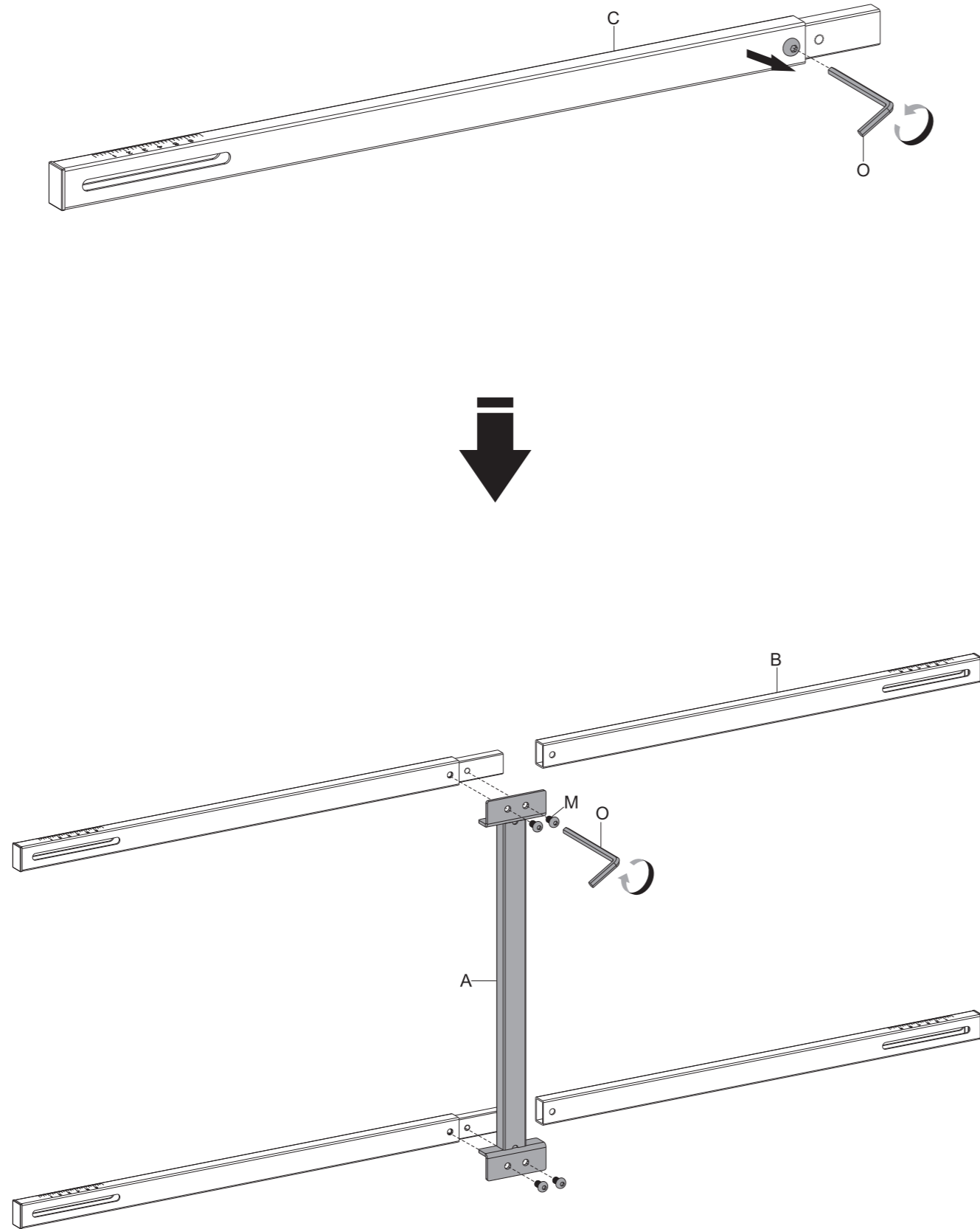
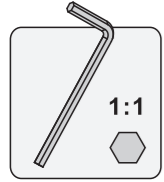


concrete anchors (x8)
W-B

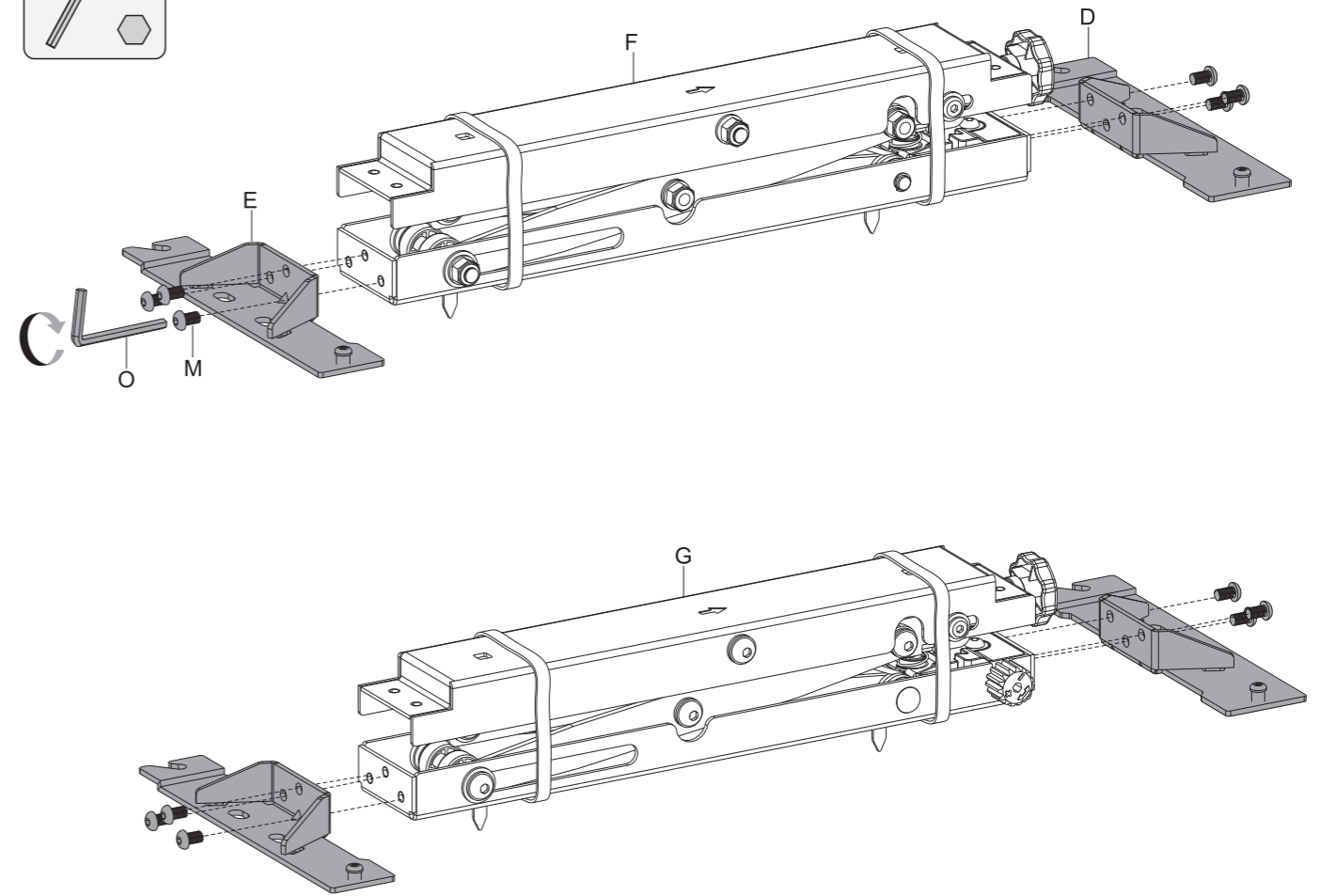
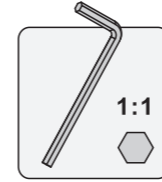


D6 washers (x8)
W-C

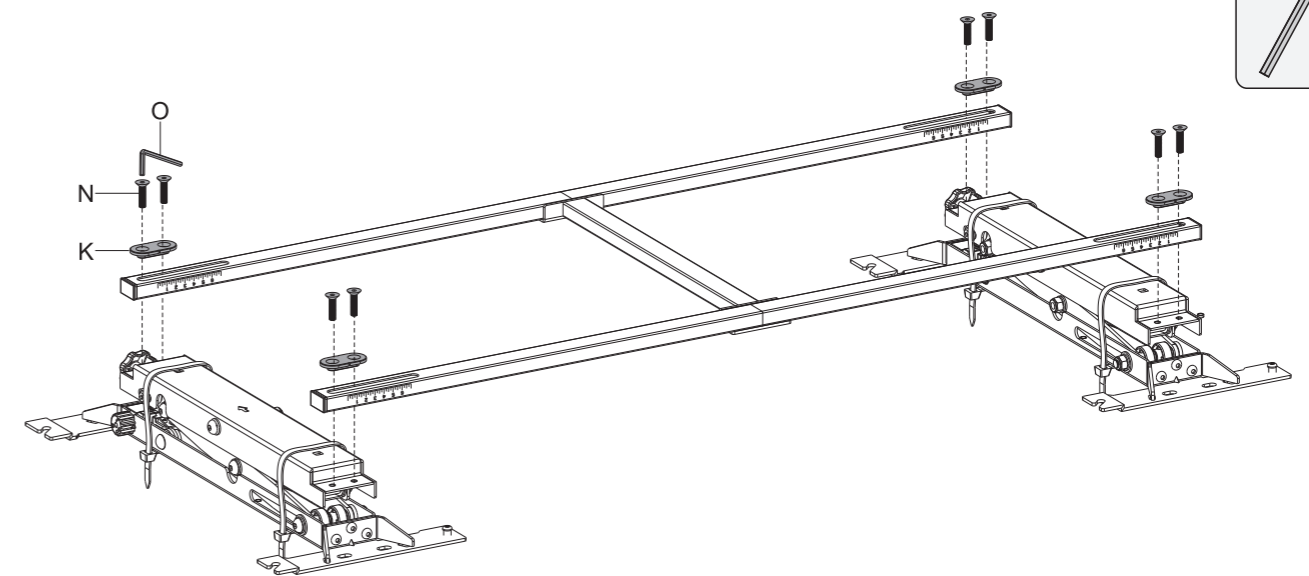
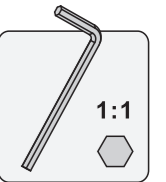
1. Assemble TV Frame



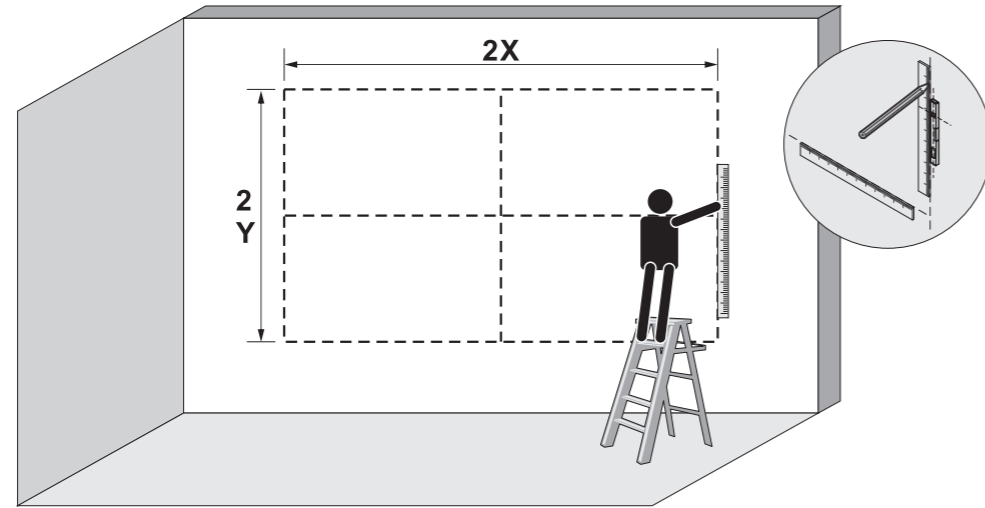
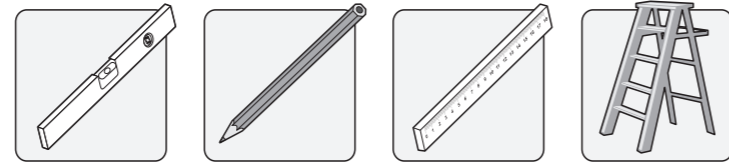
2. Install Mounting Feet



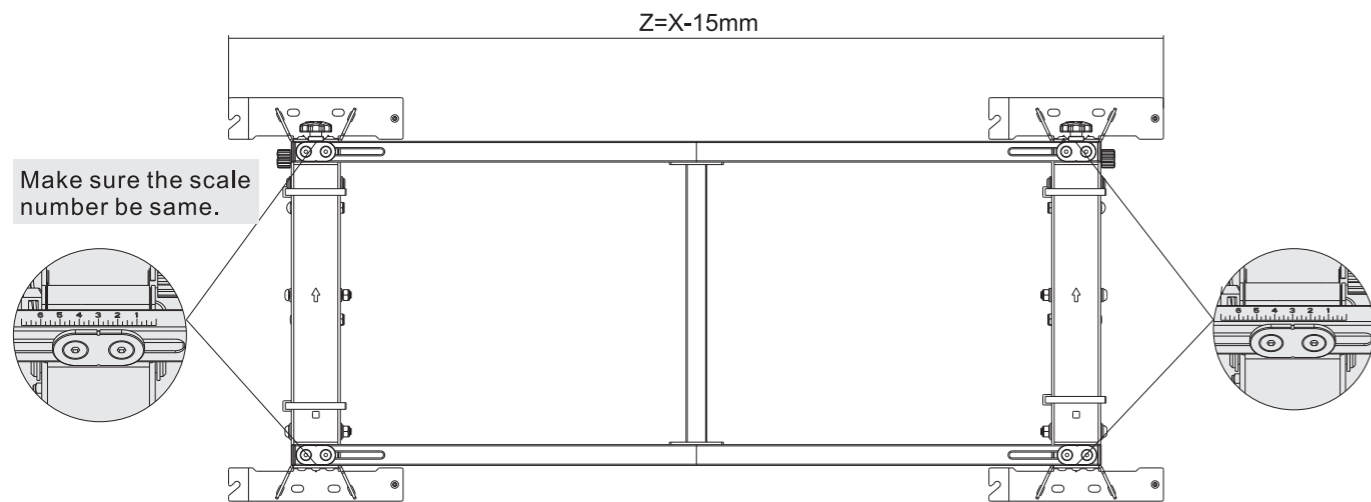
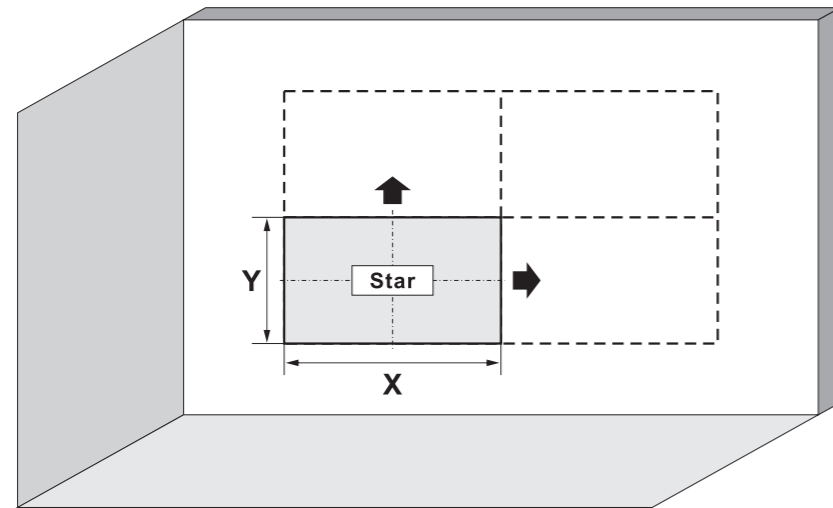
3. Assemble the Wall Plate



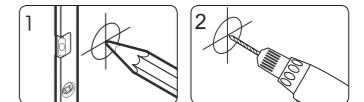
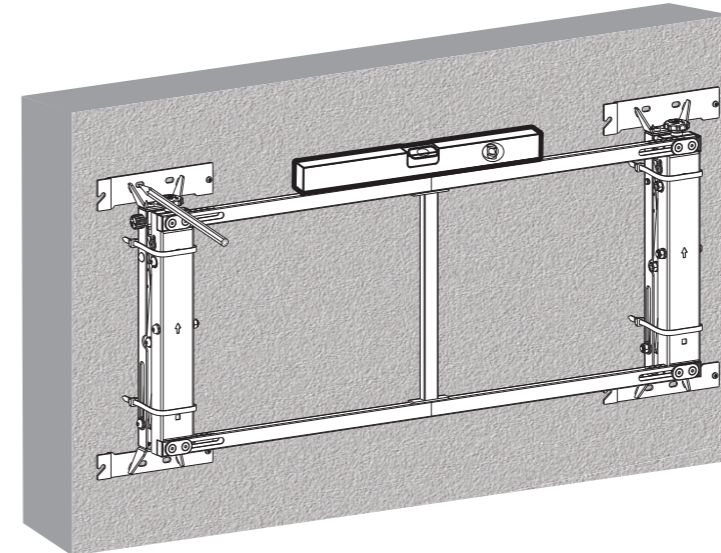
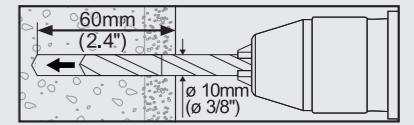
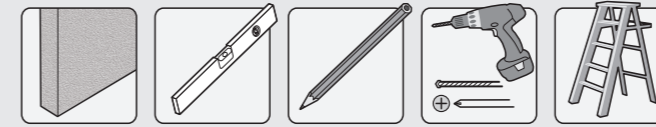
4. Video Wall Installation



X=Length of display Y=Height of display

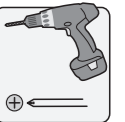
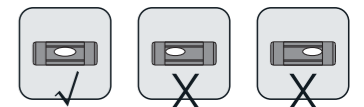


5. For Solid Brick and Concrete Wall Mounting

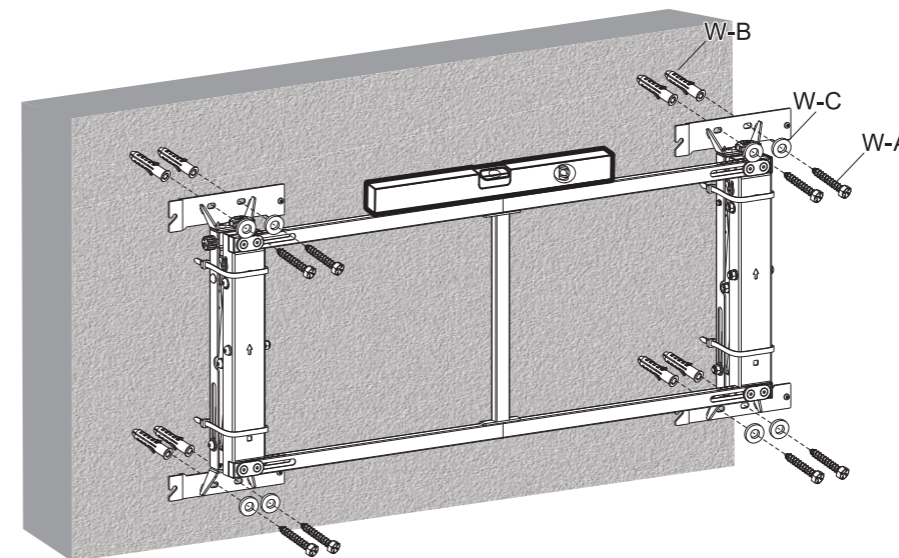


Mark the exact location of mounting holes

Drill pilot holes



Screw the wall plate onto the wall

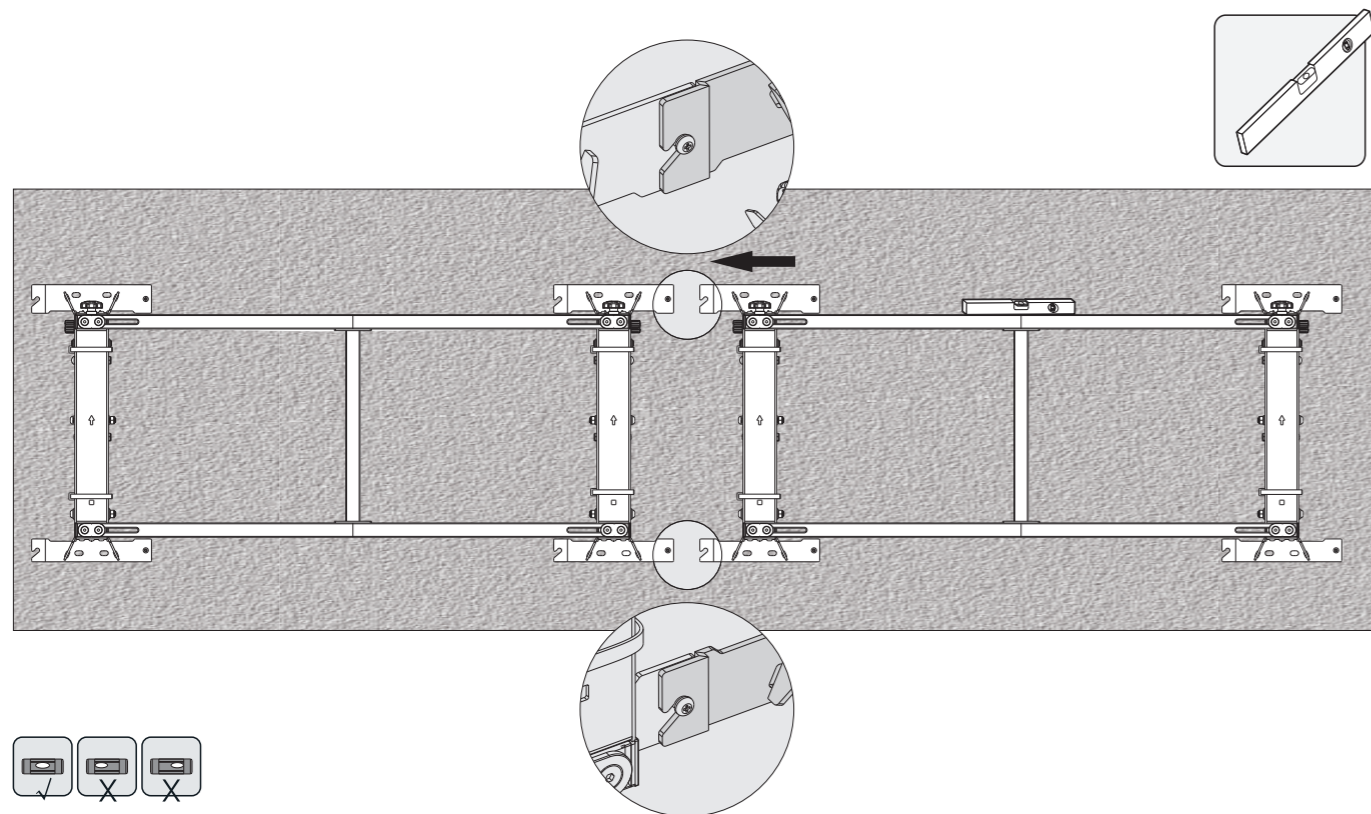


W-A			W-B			1:1
W-C						

! WARNING

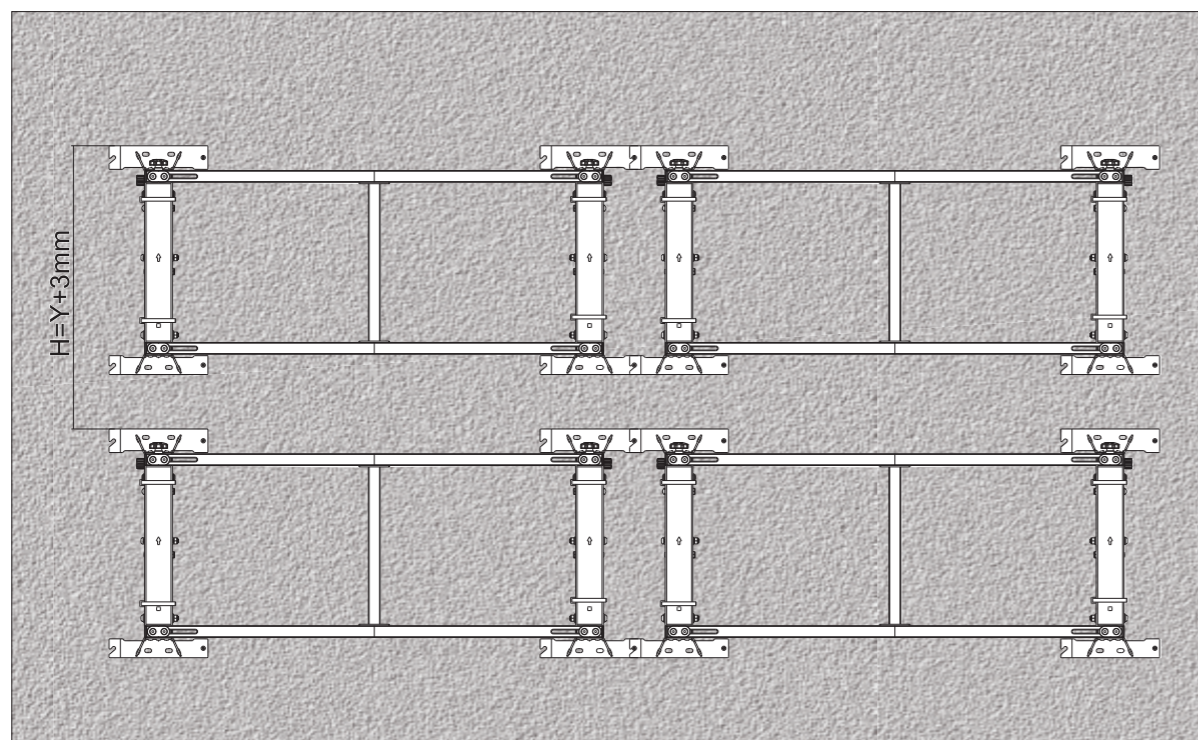
Installers must verify that the supporting surface will safely support the combined weight of the equipment and all attached hardware and components.

6. Connect Mounts By the Mounting Feet Slot



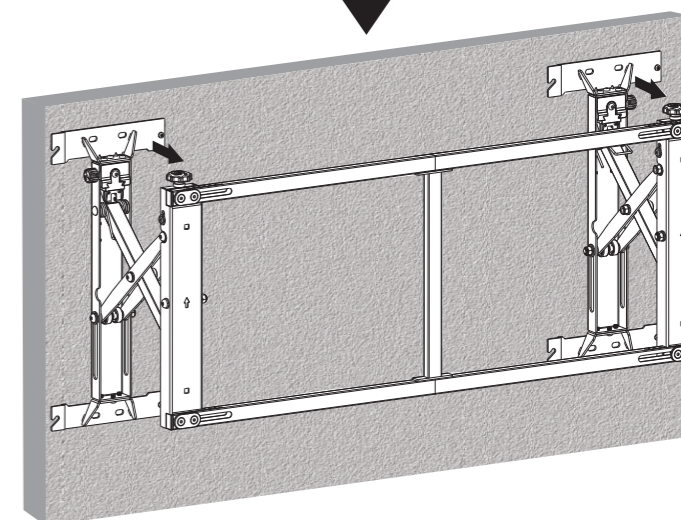
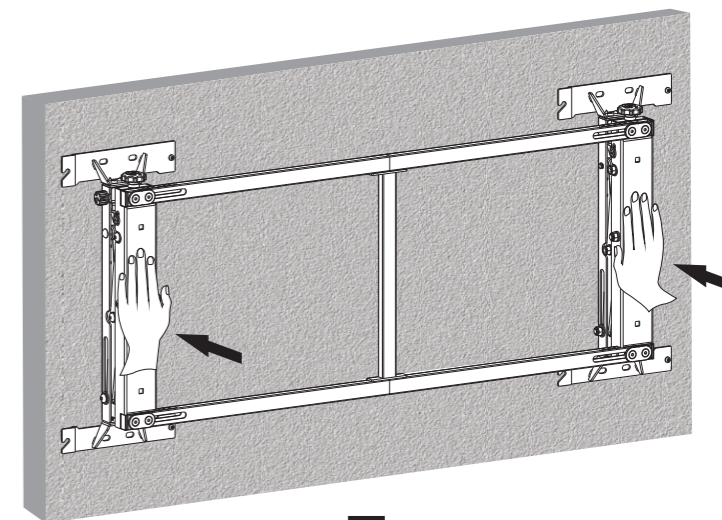
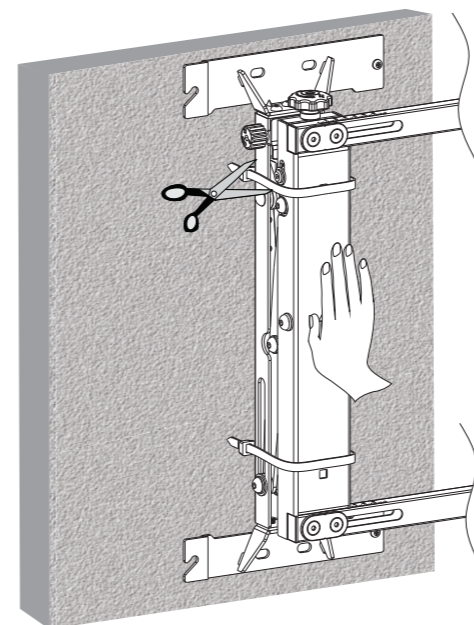
Y= TV height

H= Distance between upper and lower mount



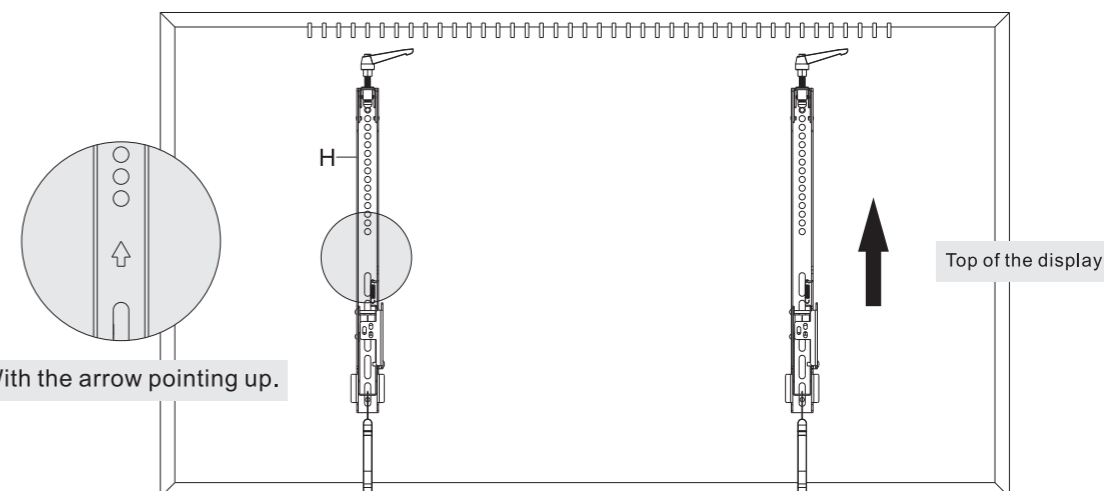
7. Pop-Out Extension

Press the arm with one hand and cut off the belt with another hand.

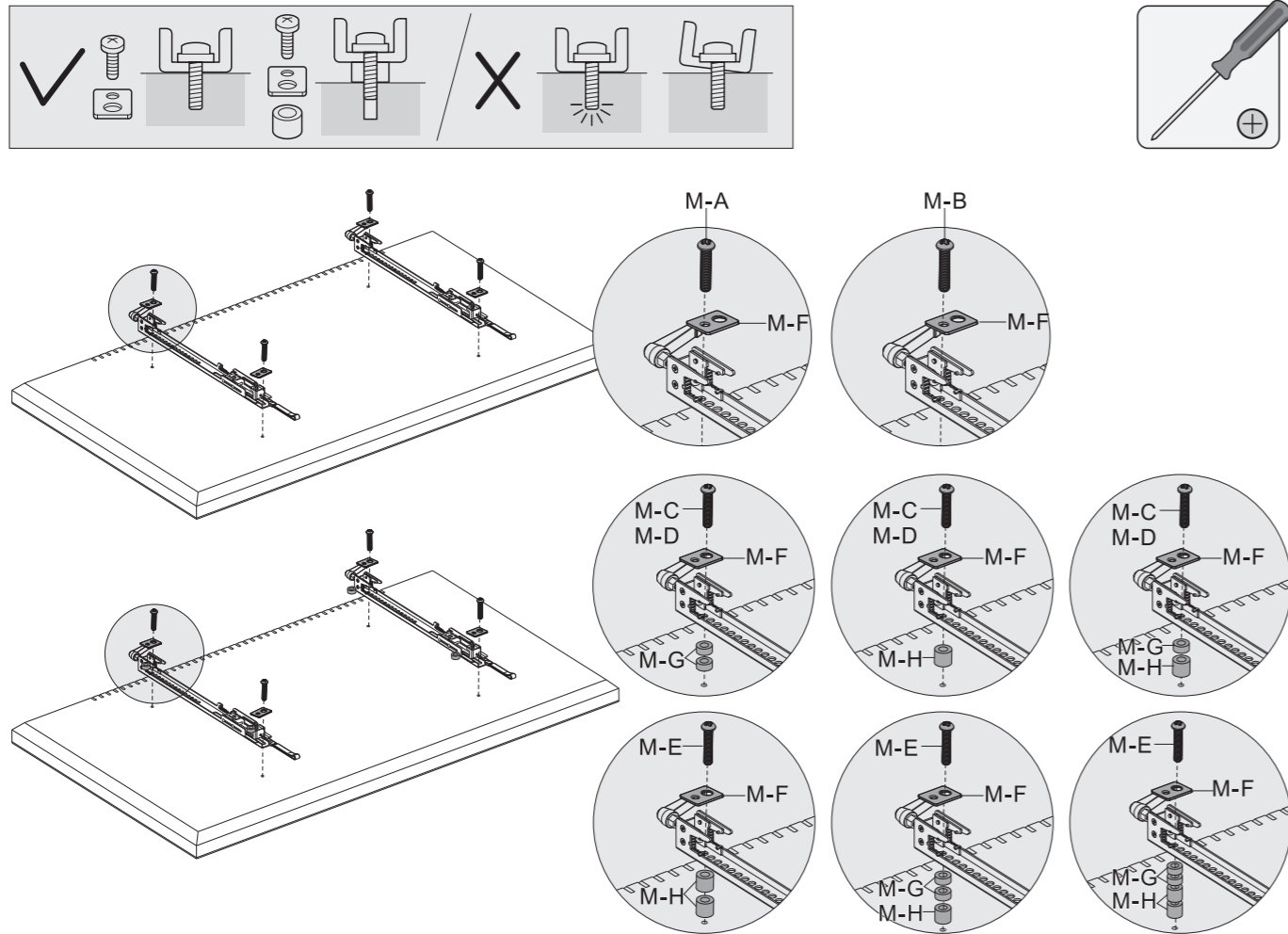


8. Attach the TV Bracket

Note: With the arrow pointing up.



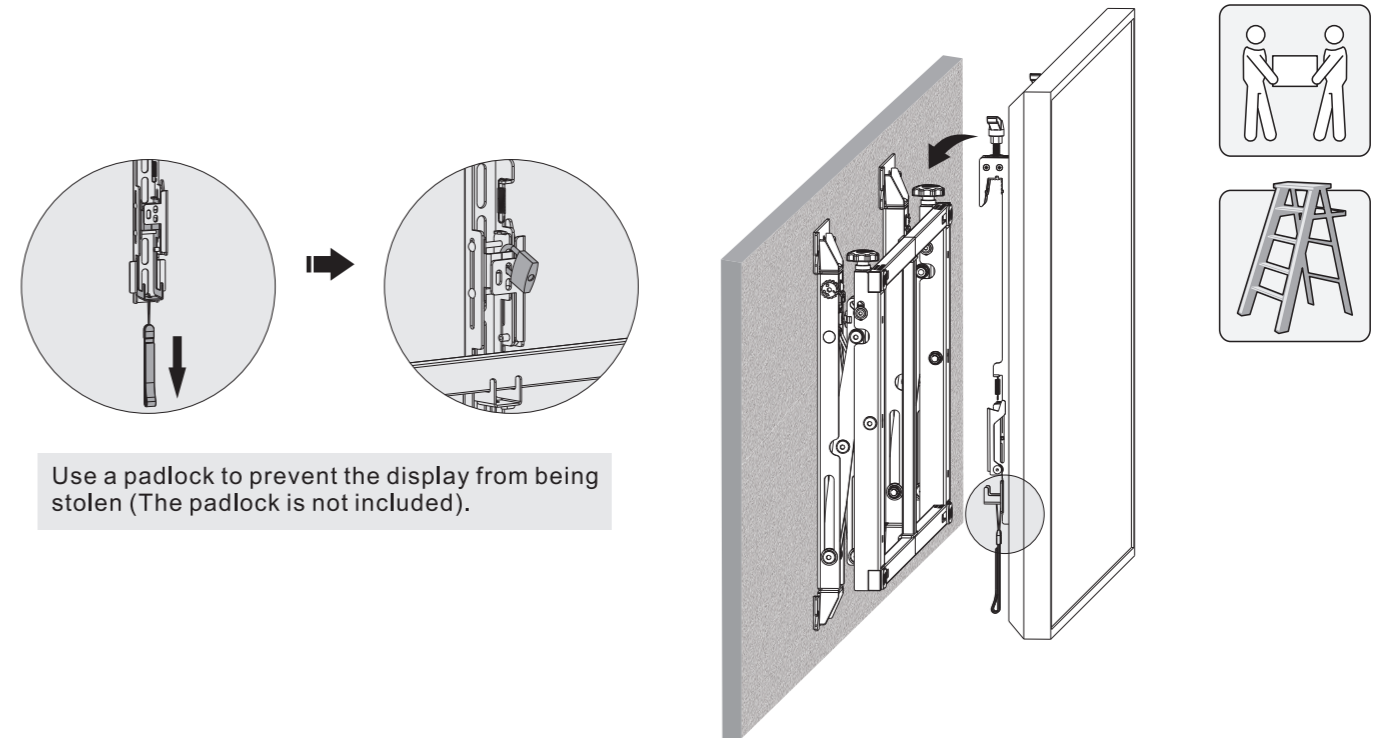
For Flat Back Screens



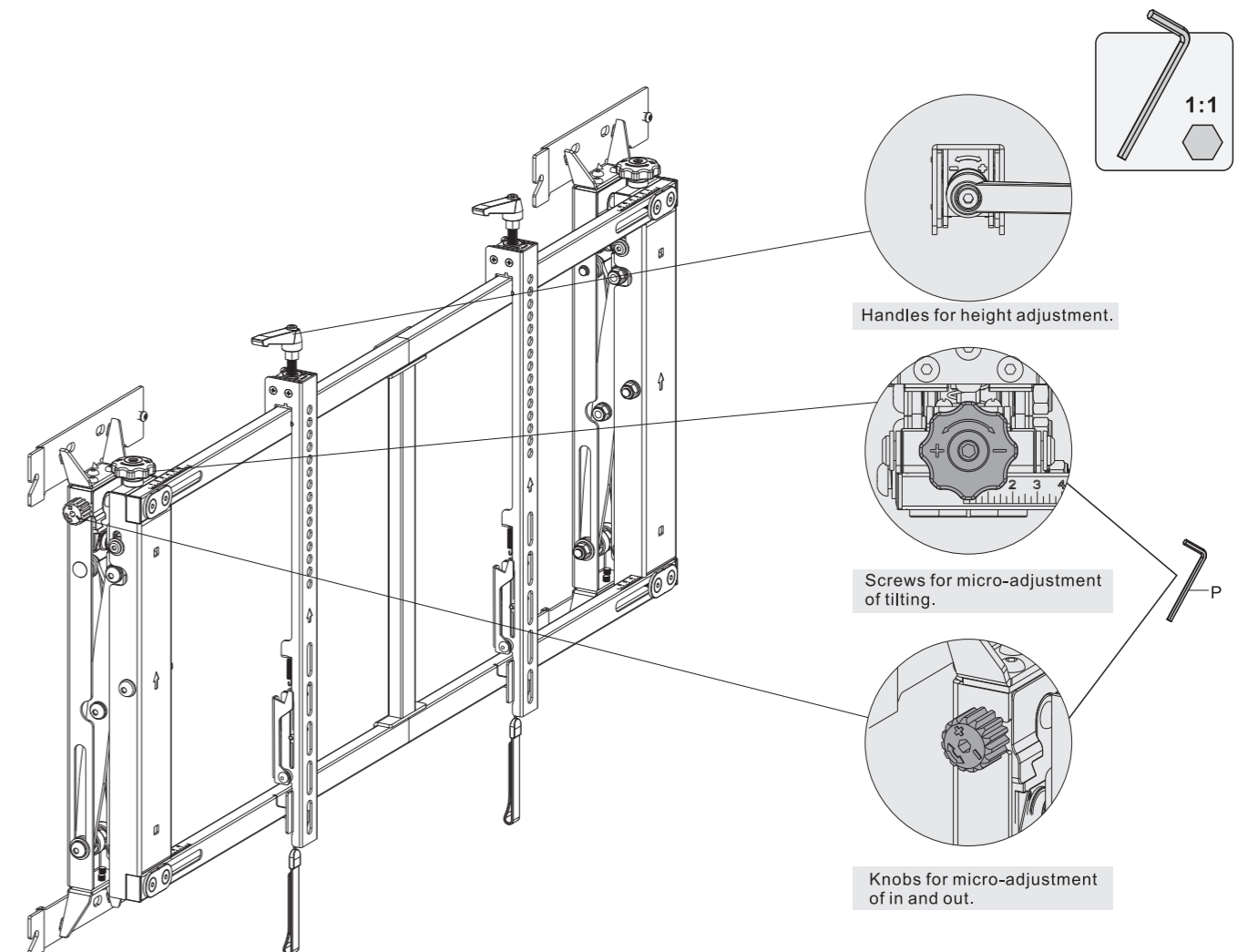
M-A			M-B		
M-C			M-D		
M-E			M-F		
M-G			M-H		

- Choose the appropriate screws, washers and spacers (if necessary) according to the type of screen.
- Center the adapter brackets on the back of the display as shown, and screw the brackets onto the display, being sure to not over-tighten.

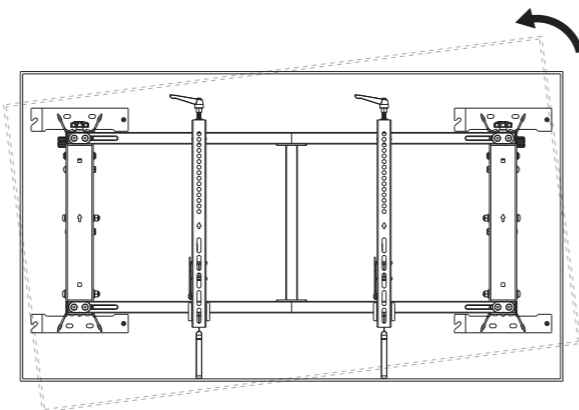
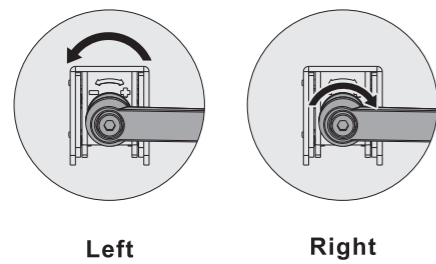
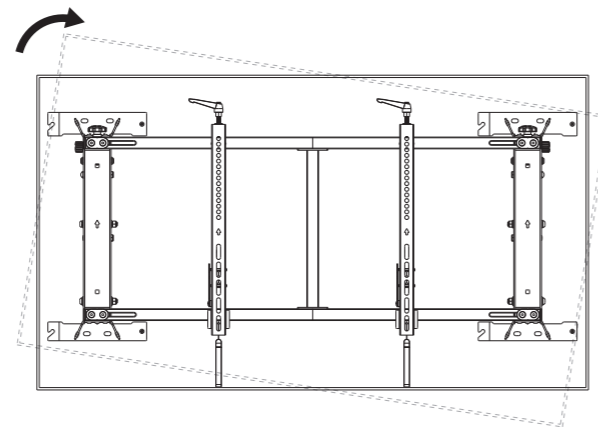
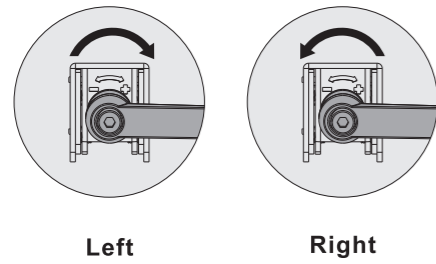
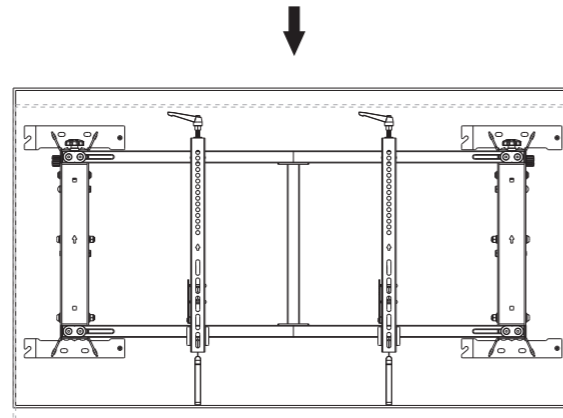
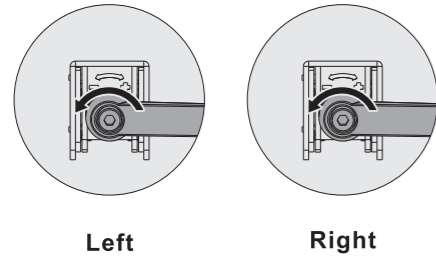
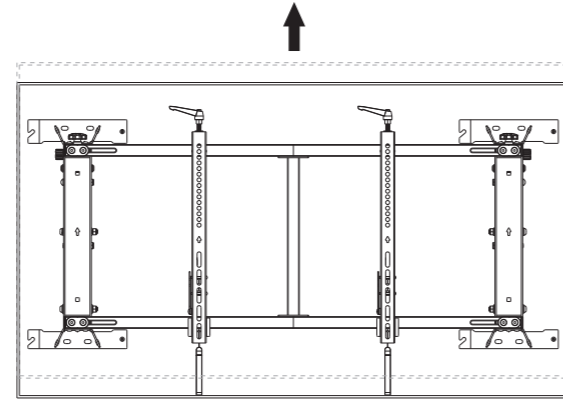
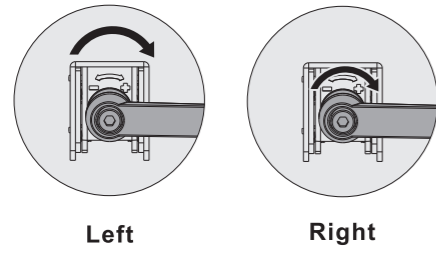
9. Hooking the Display onto the Wall Plate



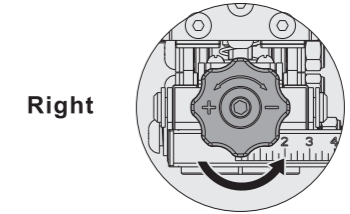
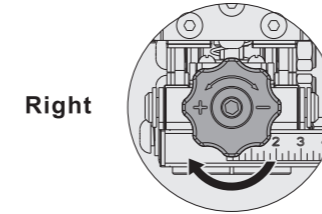
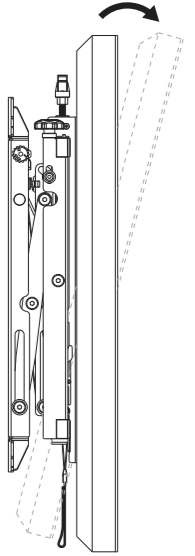
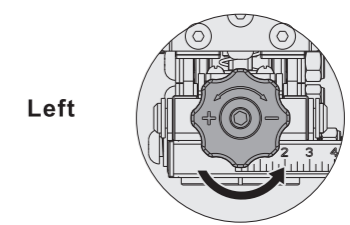
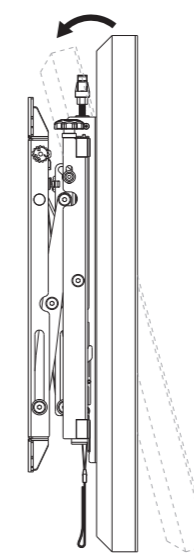
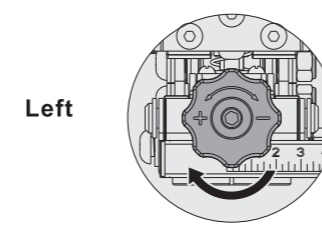
Micro Adjustment



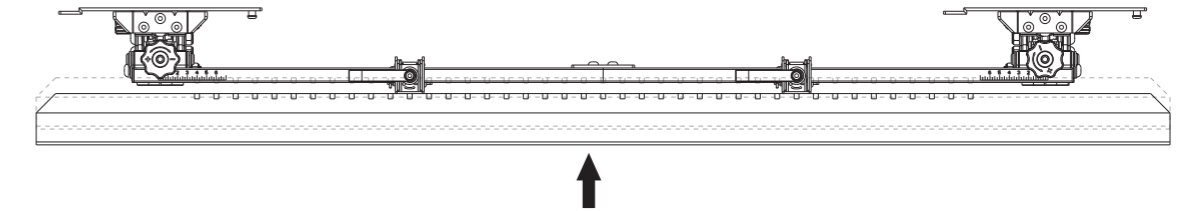
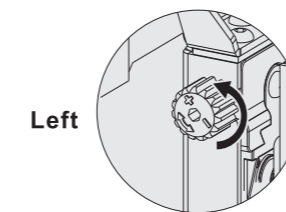
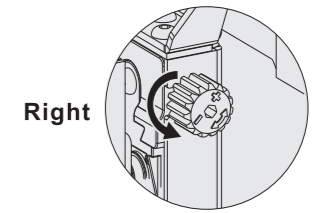
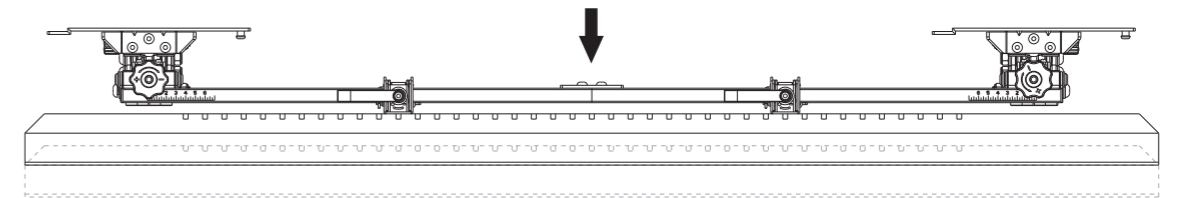
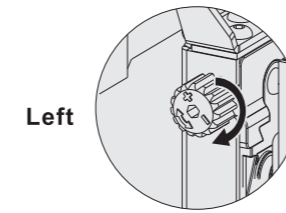
Height and Level Adjustment

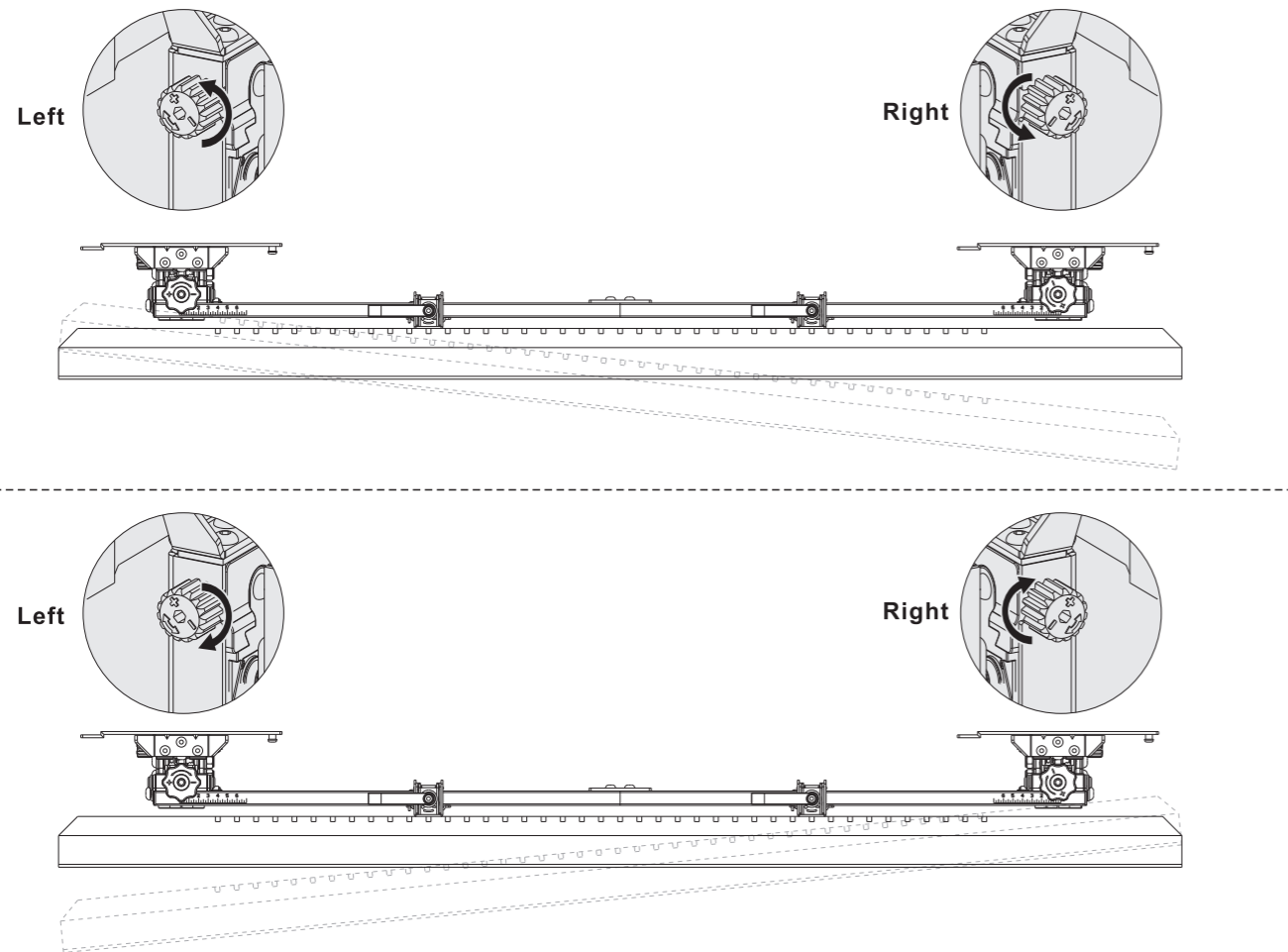


Tilt Adjustment

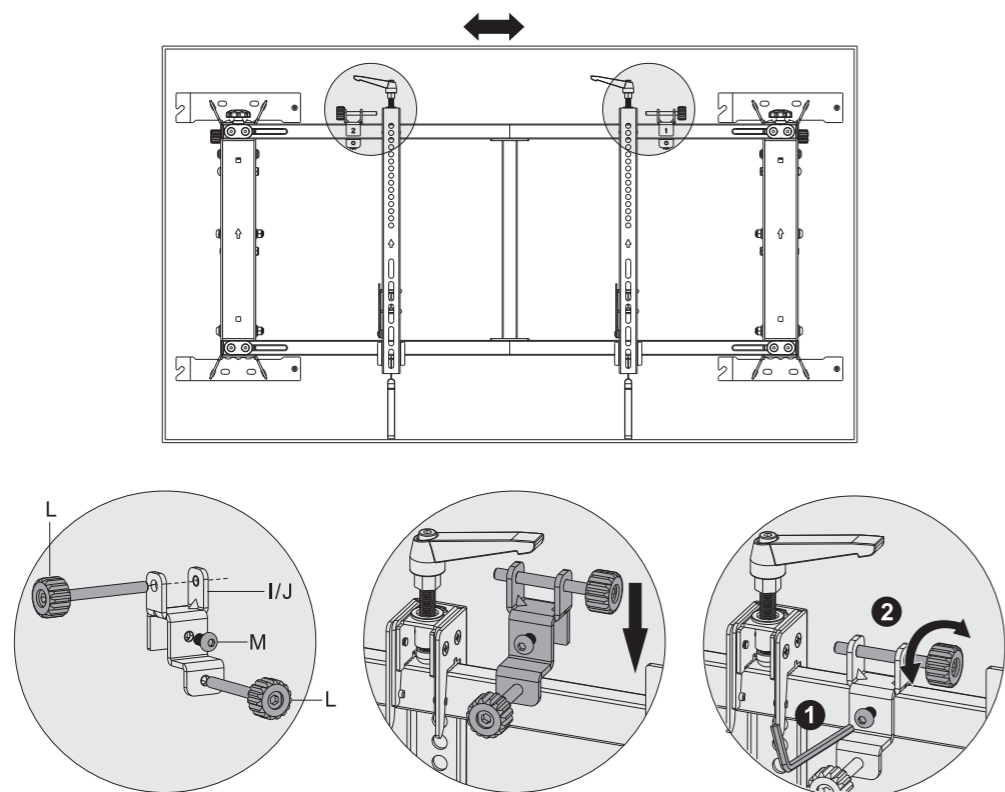


Depth and Swivel Adjustment





Lateral Shift



10. Level the Displays

