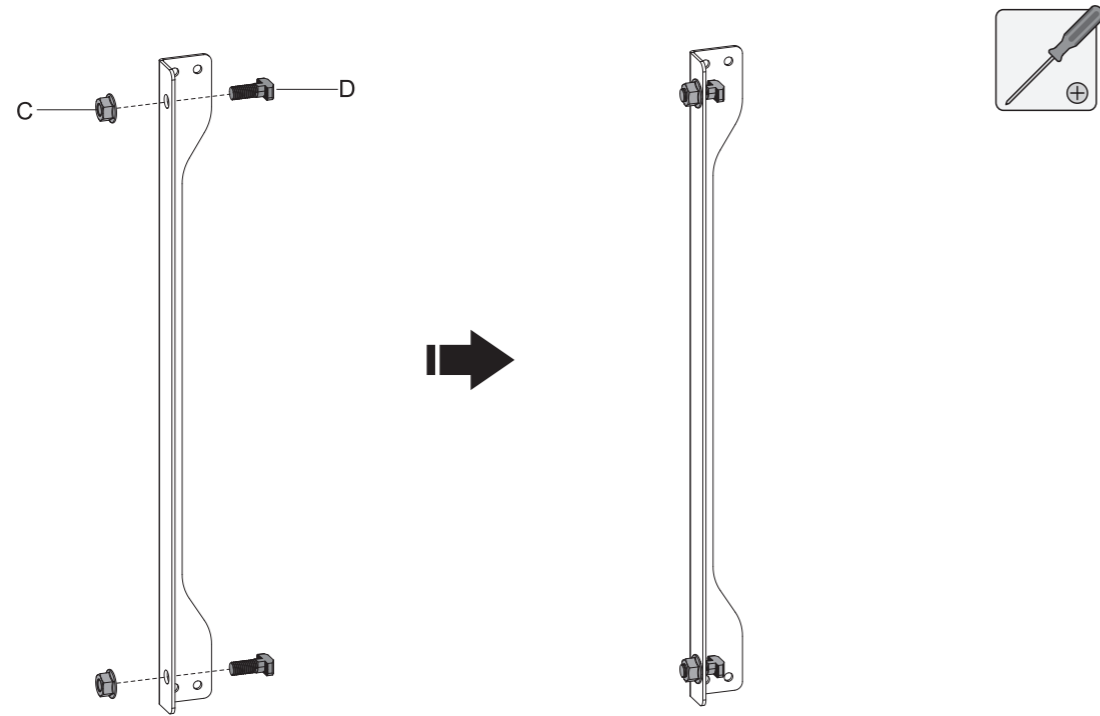
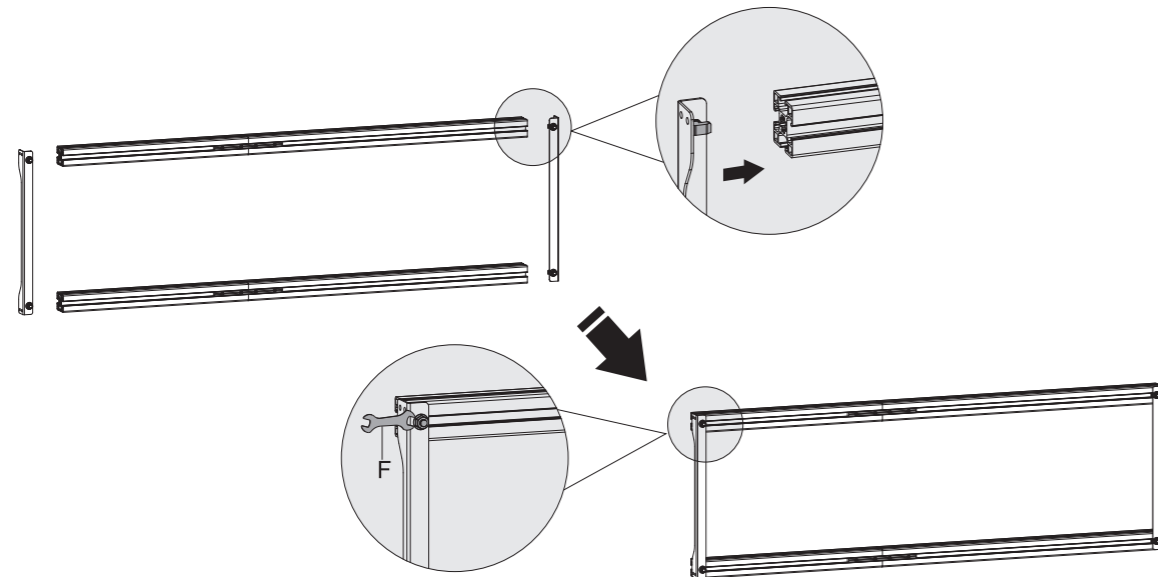


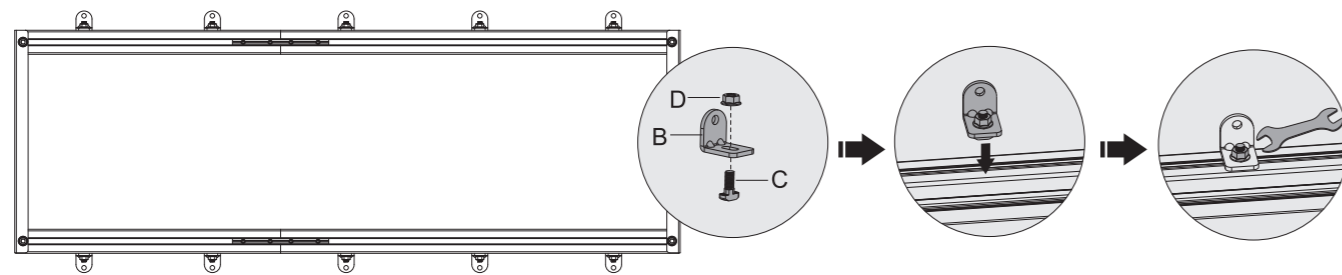
2. Installing the Connecting Plate



3. Assembling the Wall Plate



4. Attaching the L-shaped Connecting Plates



Maintenance

- Check that the bracket is secure and safe to use at regular intervals (at least every three months).
- Please contact your distributor if you have any questions.

WALL PLATE ASSEMBLY



INSTALLATION MANUAL

MT-1514-495

MT-1514-745

NOTE: Read the entire instruction manual before you start installation and assembly.

⚠ WARNING

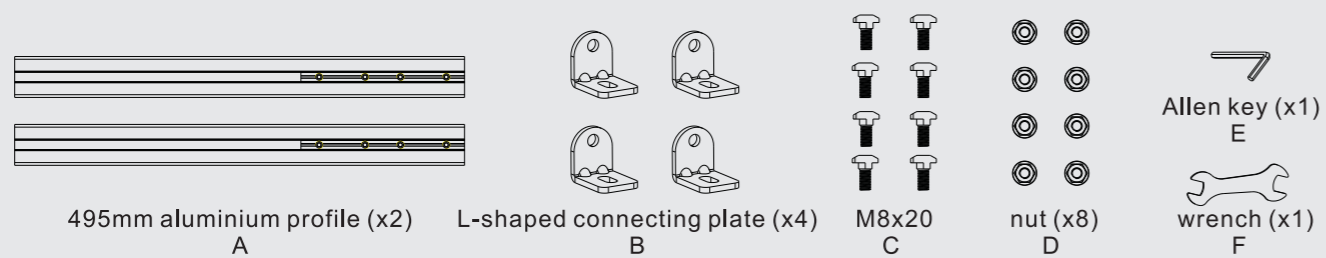
- Do not begin the installation until you have read and understood all the instructions and warnings contained in this installation sheet. If you have any questions regarding any of the instructions or warnings, please contact your local distributor.
- This mounting bracket was designed to be installed and utilised **ONLY** as specified in this manual.
- Tighten screws firmly, but do not over tighten. Over tightening can cause damage to the items, This greatly reduces their holding power.
- This product is intended for indoor use only. Using this product outdoors could lead to product failure and personal injury.

Required for Installation

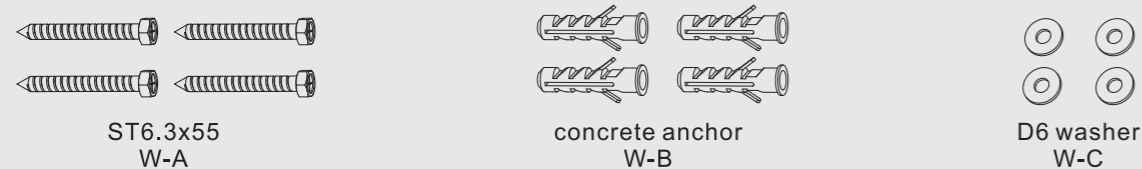


Component Checklist (Model MT-1514-495)

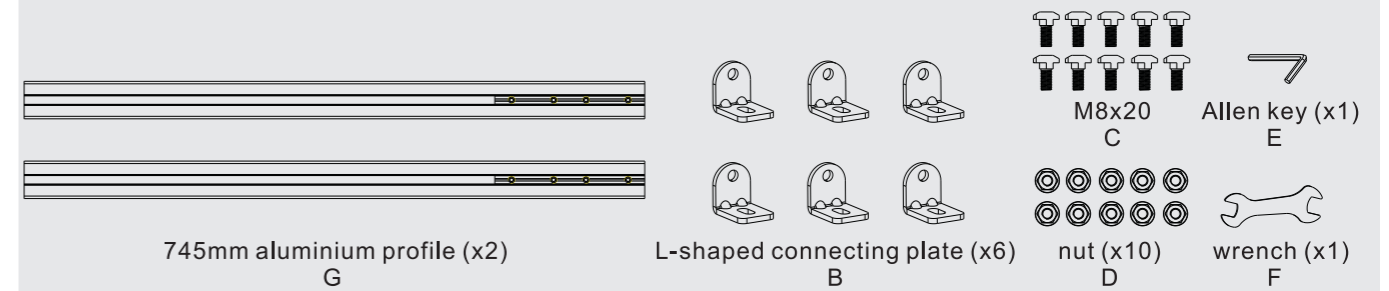
IMPORTANT: Ensure that you have received all parts according to the component checklist prior to installation. If any parts are missing or faulty, telephone your local distributor for a replacement.



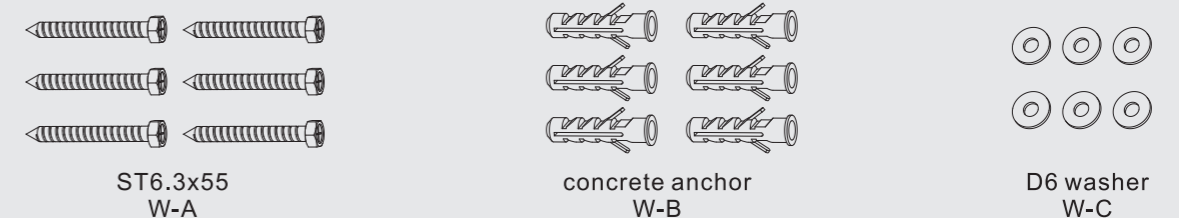
Package W



Component Checklist (Model MT-1514-745)



Package W



1. Product Dimensions

