

MT-1600-B



A (x2)

Package M



M5x14 (x4)
M-A



M6x14 (x4)
M-B



M6x30 (x4)
M-C



M8x30 (x4)
M-D



M8x50 (x4)
M-E



washers (x4)
M-F



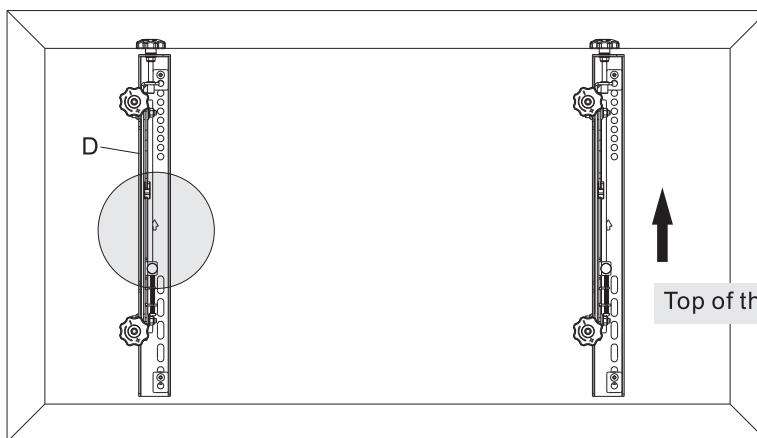
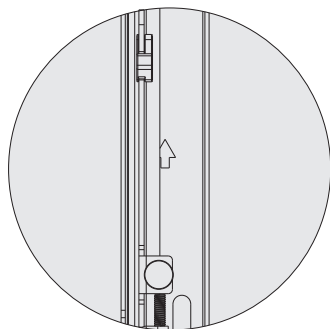
small spacers (x8)
M-G



big spacers (x8)
M-H

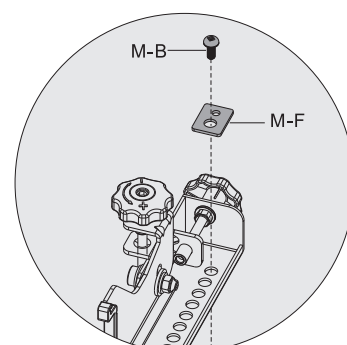
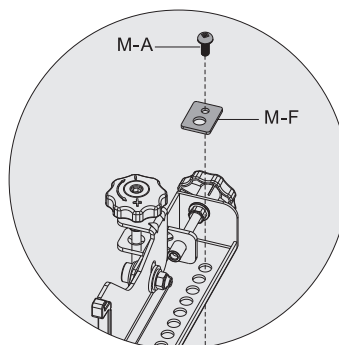
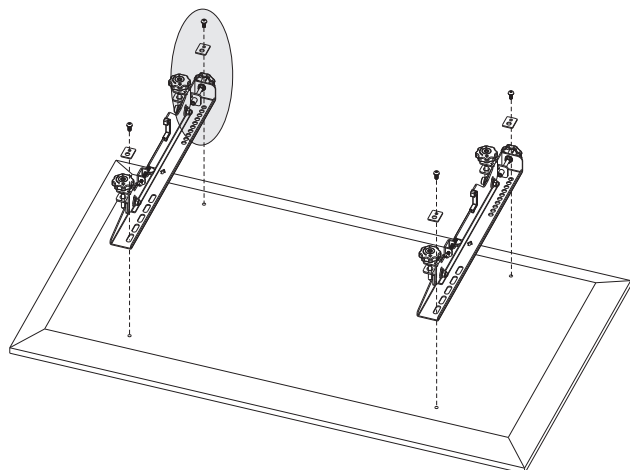
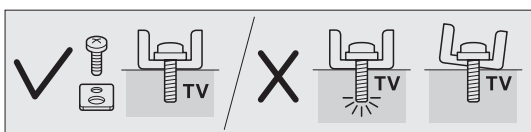
Attach TV Bracket

With the arrow pointing up.

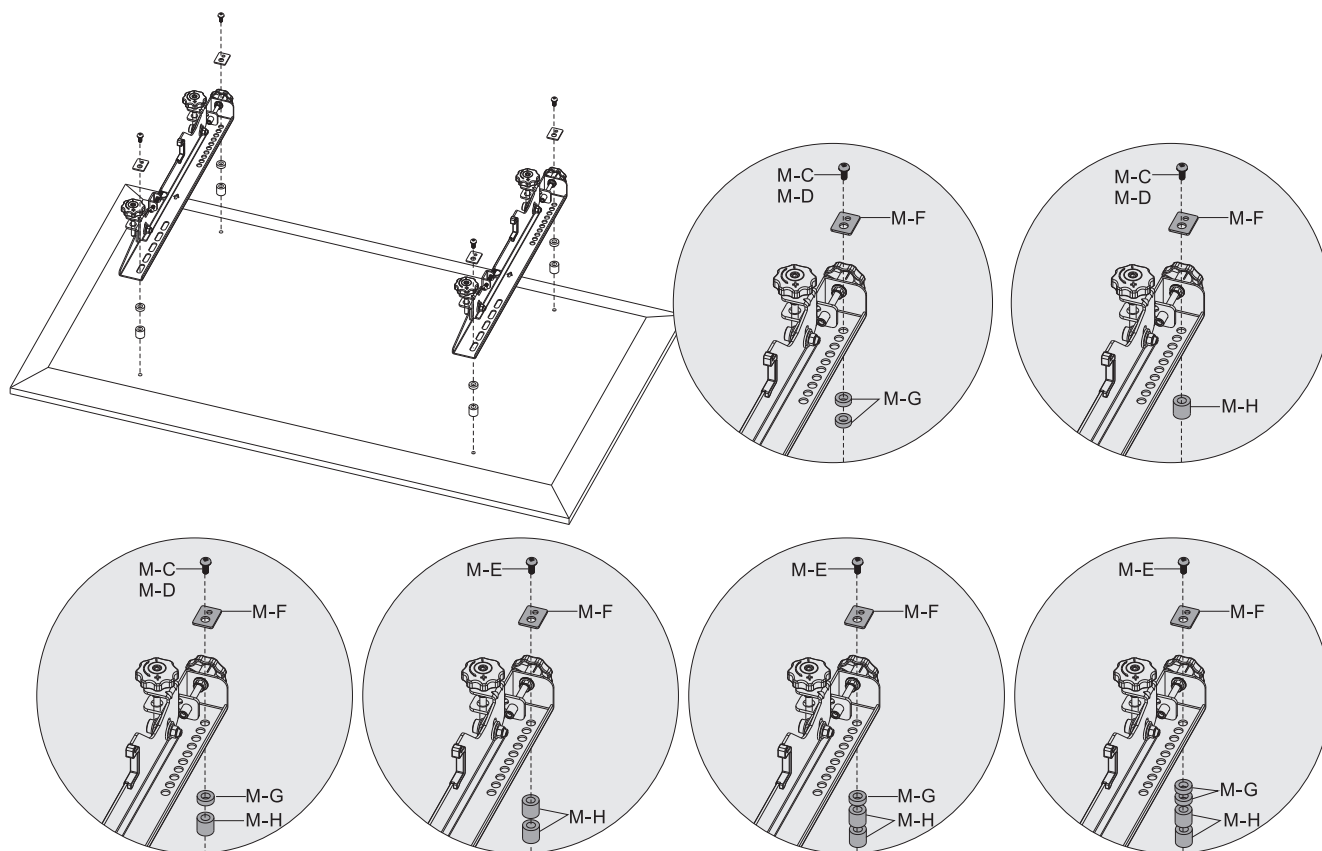
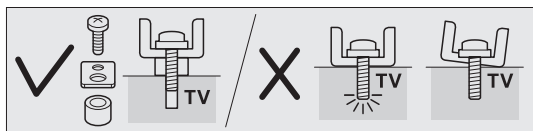


Top of the display

a. Attach TV Bracket to Flat Back Screen



b. Attach TV Bracket to Irregular Back Screen



- Choose the appropriate screws, washers and spacers (if necessary) according to the type of screen.
- Center the adapter brackets on the back of the display as shown, and screw the brackets onto the display, being sure to not over-tighten.

Hang the Screen and Micro-Adjustment

Z AXIS Adjustment Knob for Height Adjustment / Screen Leveling
 Y AXIS Adjustment Knob for Depth Adjustment

