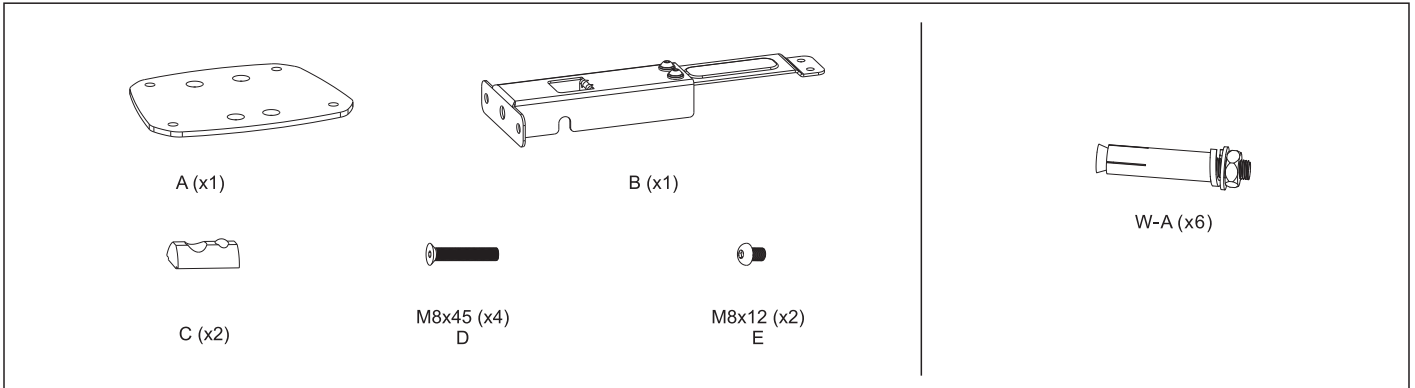
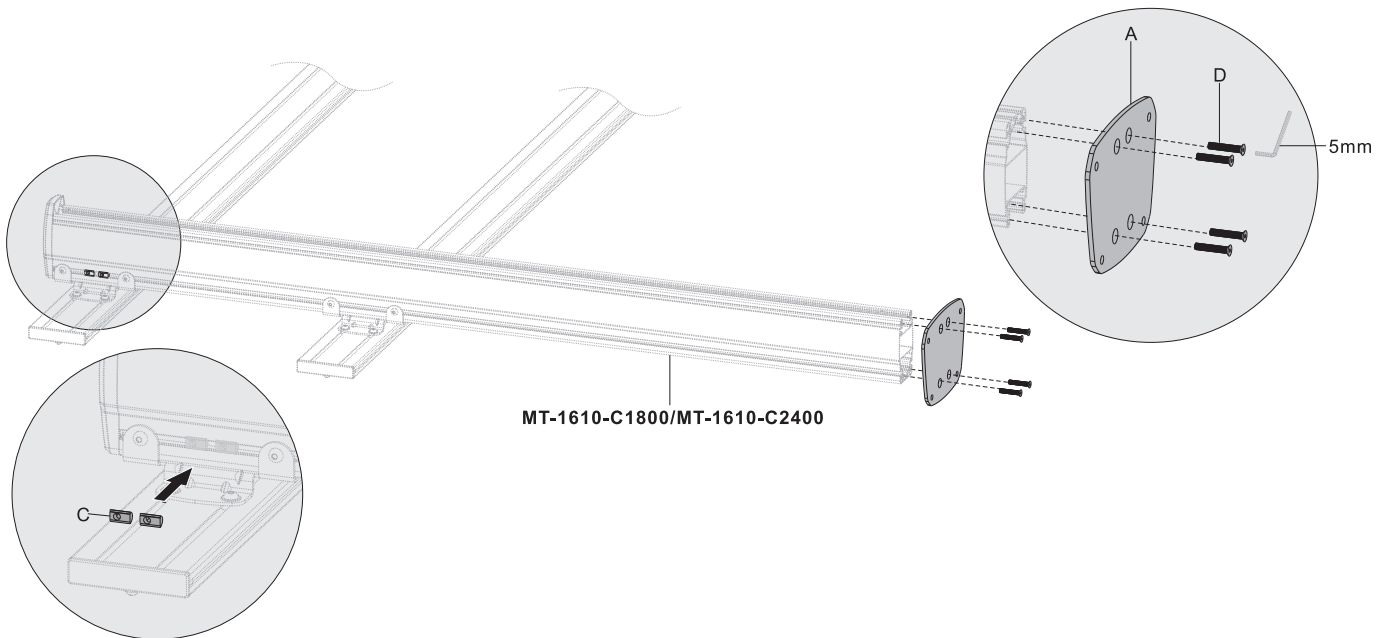


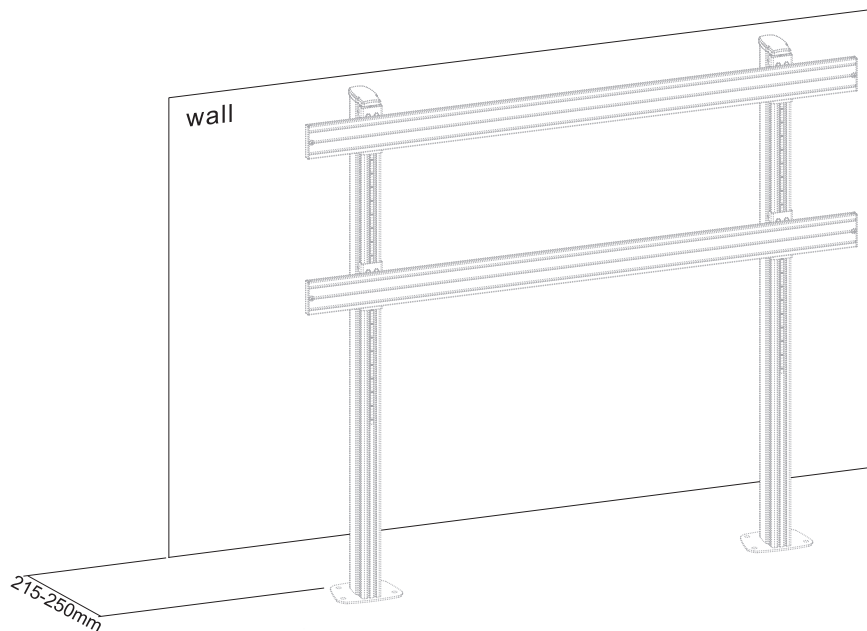
# MT-1610-BB

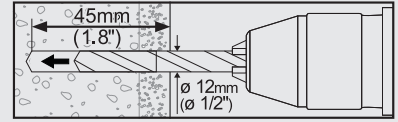
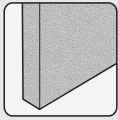


## Assemble the Base

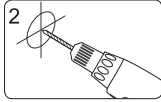


## Attach Stand to Solid Brick or Concrete

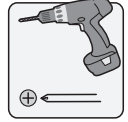
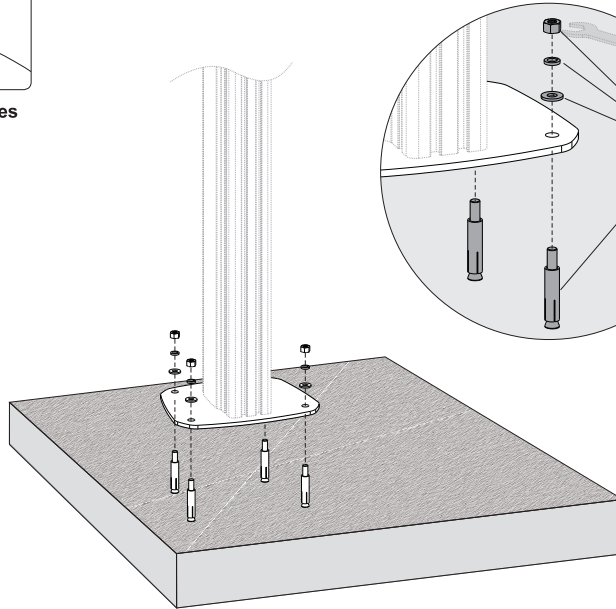




1  
Mark the exact location of mounting holes



2  
Drill pilot holes



Bolt the fix plate to the floor

